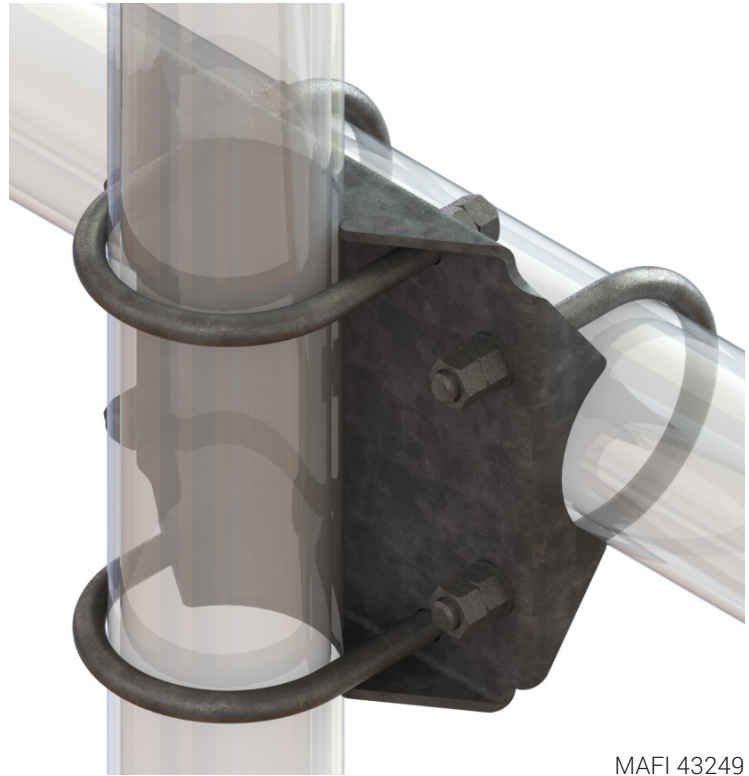


MAFI 43249*

Combiclamps Family



MAFI 43249

Designed to provide perpendicular joints between two circular members.

Flexibility

MAFI 43249 joints two circular tubes of \varnothing 114.3 mm.

MAFI 43248 joints one circular tube of \varnothing 114.3 mm to a circular tube of \varnothing 76.1 mm.

MAFI 43247 joints two circular tubes of \varnothing 76.1 mm.

MAFI 43246 joints one circular tube of \varnothing 60.3 mm to a circular tube of \varnothing 48.3 mm. The products are delivered with all necessary bolts and nuts.

Detailed design data

For use when designing sites, detailed design data for this product can be found at www.mafi.se.

How to Order

To order this kit, please contact MAFI quoting article number:

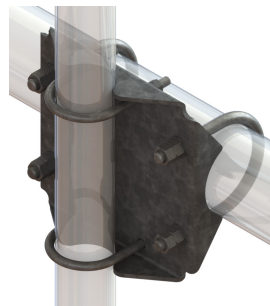
43249

43248

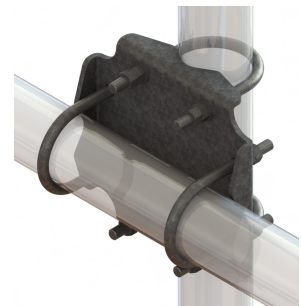
43247

43246

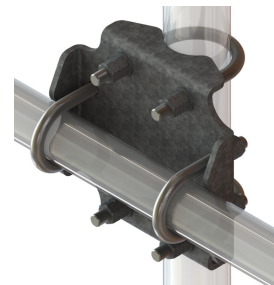
Contact information can be found at www.mafi.se.



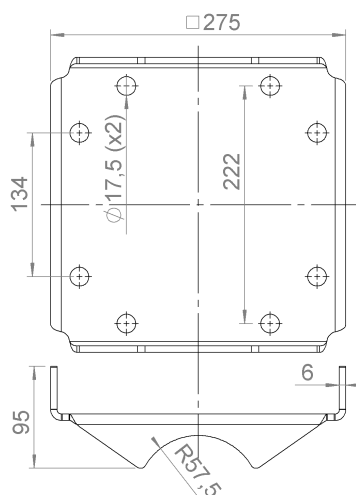
MAFI 43248



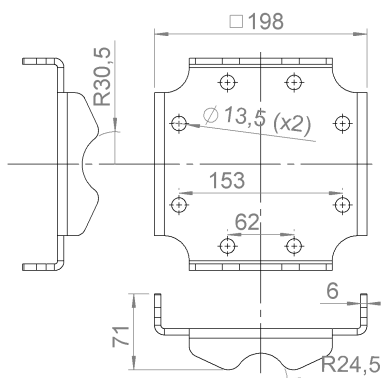
MAFI 43247



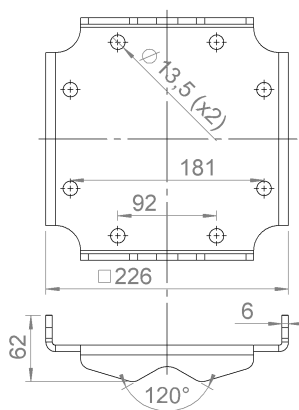
MAFI 43246



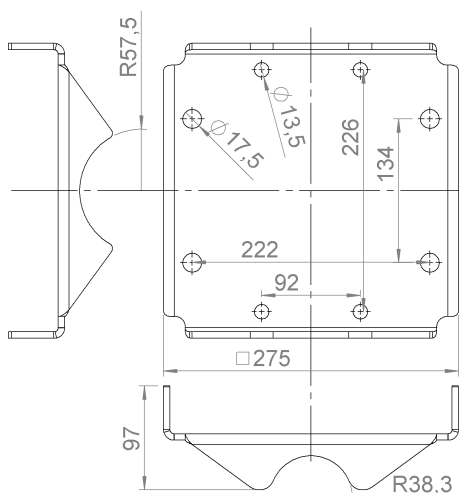
MAFI 43249



MAFI 43246



MAFI 43247



MAFI 43248

Parent pole/leg



Art. no. 43249: Ø 114.3 mm

Art. no. 43248: Ø 114.3 mm
Ø 76.3 mm

Art. no. 43247: Ø 76.1 mm

Art. no. 43246: Ø 60.3 mm
Ø 48.3 mm

Tightening torque

U-bolt M12: 15 Nm

U-bolt M16: 20 Nm

Part list

Parts	Material	Quantity
Bracket	S355MC FZV	1
U-bolts	8.8 FZV or A480	4
Nuts and washers	8.8 FZV	-

Package data

Product	Length (mm)	Width (mm)	Height (mm)	Weight (kg)
43249	280	280	100	7.8
43248	280	280	100	6.9
43247	230	230	75	4.4
43246	210	210	75	3.2

Product options

Tubes of various lengths and diameter can be ordered from MAFI.



EN 1090

Design resistance data

The load limits given in this data sheet apply to the MAFI product only. The designer should always check that the supporting structure can safely carry the loads applied to it by the MAFI product.

Vertical load

Max Supported Equipment mass $F_{mass} = 200 \text{ kg}$

Lateral reaction force

Ultimate lateral reaction force $F_r = 2000 \text{ N}$

Axial moment

Ultimate axial moment M_r : **43249** = 1000 Nm

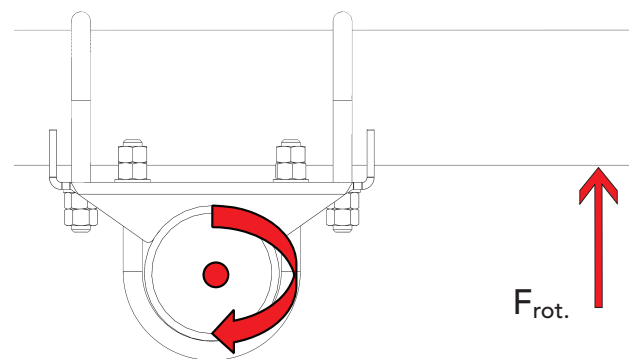
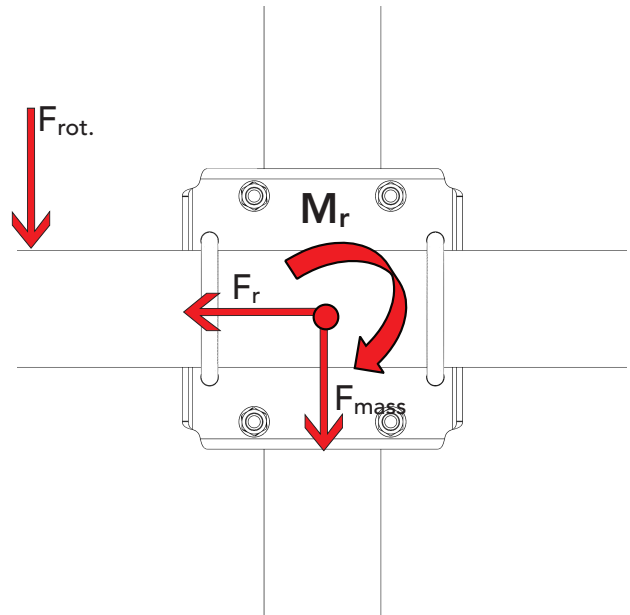
43248 = 350 Nm

43247 = 350 Nm

43246 = 150 Nm

Rotational slip resistance

When forces that attempt to rotate the bracket around the tube are to be expected, use the table below to check for rotational slip. Use ultimate loads to calculate the applied torque.



Ultimate Torque Capacity

Parent Pole \varnothing (mm)	Torque (Nm)
	MAFI 3263/65, 3273
48.3	178
60.3	230
76.1	298
114.3	462