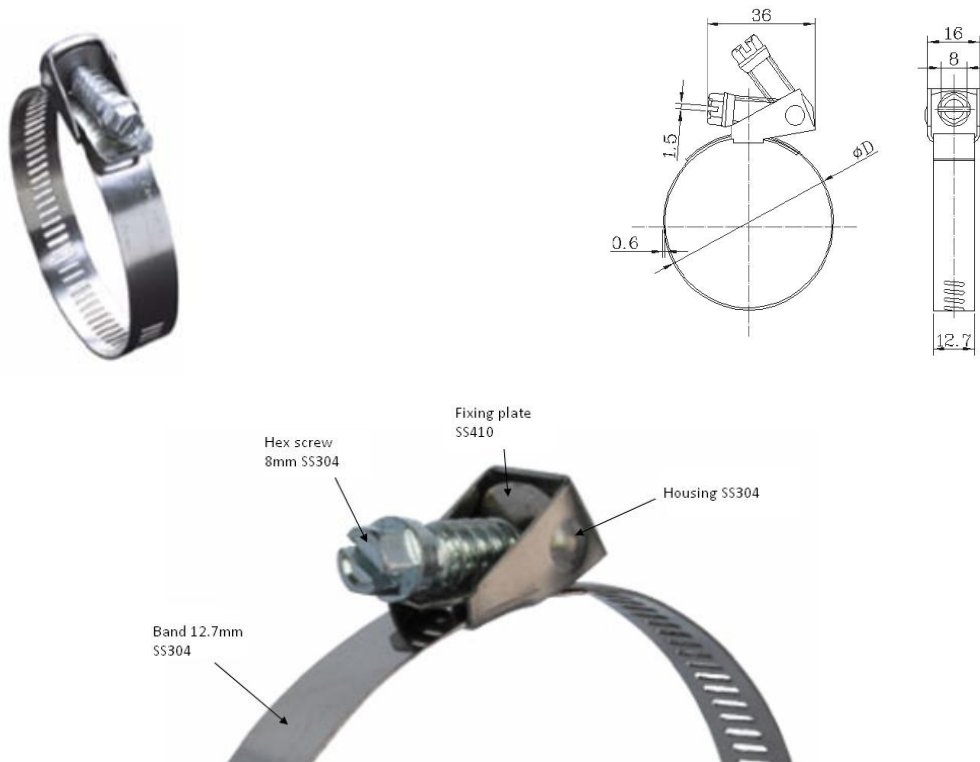


Quick Release Hose Clips – Slotted Band



Quick release style worm drive clips are indispensable for installation in closed systems where the clamp must be disengaged to be applied. The swivel-action locking of screw to band makes both installation and removal fast and easy.

This is a first class answer to the ducting industry and is a most flexible clip. It quite happily wraps around awkward bundles and because of the range availability is a valuable cover-all clip to keep in maintenance departments.

Quick Release Hose Clips

| Part No. | Pipe/Tower Leg Diameter | |
|-----------|-------------------------|--|
| QRHOSE127 | 51mm – 127mm | |
| QRHOSE152 | 52mm – 152mm | |

| Part | Size | Material |
|--------------|------------------|----------|
| Hex Screw | 5/16" (8mm) | SS 304 |
| Band | 1/2" (12.7/13mm) | SS 304 |
| Housing | | SS 304 |
| Fixing Plate | | SS410 |