



## 4.3-10 Female Connector for 1-1/4" Coaxial Cable, OMNI FIT™ standard, O-ring sealing

OMNI FIT™ high performance connectors are designed for use with both CELLFLEX® (copper) and CELLFLEX® Lite (aluminum) cables. They are designed specifically to provide the highest quality connector-cable interface while simplifying and speeding up connector attachment. All RFS connectors are fully tested for mechanical and electrical compliance to industry specifications. The 4.3-10 connector is an innovative, space-saving RF connection meeting all requirements even under the most severe environmental conditions and not relying on coupling nut torque.



43F-LCF114-D02

### FEATURES / BENEFITS

- ➔ Cost effective two-piece design for safe and easy installation
- ➔ Compatible with copper and aluminium cable types i.e. one connector for both outer conductor materials eliminates the risk of faulty connector installation and helps to keep inventory down
- ➔ Robust mechanical design for low and consistent intermodulation performance i.e. keeps the mobile network performance up reduces the number of dropped calls and avoids revenue losses
- ➔ Superior electrical performance for consistent and repeatable VSWR i.e. ensure network system performance
- ➔ Waterproof to IP 68 i.e. no downtime risk, secures revenue
- ➔ RoHS (EU) and CRoHS (China) compliant i.e. can be used on a global basis

### Technical Features

#### GENERAL SPECIFICATIONS

Transmission Line Type		Coaxial Cable
Cable Size		1 1/4"
Cable Type		Foam Dielectric Radiating
Model Series		LCFS114-50A-Series LCFS114-50L-Series UCF114-50A-Series UCF114-50L-Series
Connector Interface		4.3-10
Connector Type		OMNI FIT™ Standard
Sealing Method		O-ring
Gender		Female

#### ELECTRICAL SPECIFICATIONS

Nominal Impedance	Ohm	50
3rd Order IM Product @ 2x20 Watts	dBc	-159 typical
Maximum Frequency	GHz	3.6
VSWR, Return Loss	VSWR (dB)	0 < f ≤ 1.0 GHz: 1.03 (36.6) 1.0 < f ≤ 2.2 GHz: 1.04 (34.1) 2.2 < f ≤ 2.7 GHz: 1.06 (30.7) 2.7 < f ≤ 3.6 GHz: 1.08 (28.3)

#### MECHANICAL SPECIFICATIONS

Plating Outer/Inner		Trimetal/Silver
Length	mm (in)	60.3 (2.4)
Outer Diameter	mm (in)	48 (1.9)
Weight	kg (lb)	0.325 (0.72)
Inner Contact Attachment		Spring Finger
Outer Contact Attachment		Spring Claw

#### ACCESSORIES

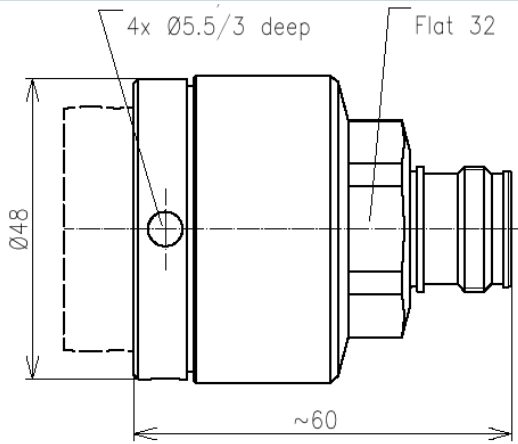
Wrench size front	mm (in)	Open end wrench 32 (1-1/4)
Poly Hook Spanner	mm (in)	PHS 60-90-5 Ø 60-90 (2.3-3.5) Pin 5 (0.2)

#### TESTING AND ENVIRONMENTAL

Waterproof Level		IP68
------------------	--	------



## 4.3-10 Female Connector for 1-1/4" Coaxial Cable, OMNI FIT™ standard, O-ring sealing



43F-LCF114-D02 Outline Drawing

### External Document Links

Application Note  
Installation Instruction

### Notes