



4.3-10 Male Connector for 1-5/8" Coaxial Cable, OMNI FIT™ standard, O-ring sealing

OMNI FIT™ high performance connectors are designed for use with both CELLFLEX® (copper) and CELLFLEX® Lite (aluminum) cables. They are designed specifically to provide the highest quality connector-cable interface while simplifying and speeding up connector attachment. All RFS connectors are fully tested for mechanical and electrical compliance to industry specifications. The 4.3-10 connector is an innovative, space-saving RF connection meeting all requirements even under the most severe environmental conditions and not relying on coupling nut torque.



FEATURES / BENEFITS

- ➔ Cost effective two-piece design for safe and easy installation
- ➔ Compatible with copper and aluminium cable types i.e. one connector for both outer conductor materials eliminates the risk of faulty connector installation and helps to keep inventory down
- ➔ Robust mechanical design for low and consistent intermodulation performance i.e. keeps the mobile network performance up reduces the number of dropped calls and avoids revenue losses
- ➔ Superior electrical performance for consistent and repeatable VSWR i.e. ensure network system performance
- ➔ Waterproof to IP 68 i.e. no downtime risk, secures revenue
- ➔ RoHS (EU) and CRoHS (China) compliant i.e. can be used on a global basis

Technical Features

GENERAL SPECIFICATIONS

Transmission Line Type		Coaxial Cable
Cable Size		1 5/8"
Cable Type		Foam Dielectric Radiating
Model Series		LCF158-50A-Series LCF158-50L-Series
Connector Interface		4.3-10
Connector Type		OMNI FIT™ Standard
Sealing Method		O-ring
Gender		Male

ELECTRICAL SPECIFICATIONS

Nominal Impedance	Ohm	50
3rd Order IM Product @ 2x20 Watts	dBc	-159 typical
Maximum Frequency	GHz	2.75
VSWR, Return Loss	VSWR (dB)	0 < f ≤ 1.0 GHz: 1.02 (40.1) 1.0 < f ≤ 2.2 GHz: 1.03 (36.6) 2.2 < f ≤ 2.75 GHz: 1.06 (30.7)

MECHANICAL SPECIFICATIONS

Plating Outer/Inner		Trimetal/Silver
Length	mm (in)	66 (2.6)
Outer Diameter	mm (in)	59.5 (2.34)
Weight	kg (lb)	0.6 (1.32)
Inner Contact Attachment		Spring Finger
Outer Contact Attachment		Spring Claw

ACCESSORIES

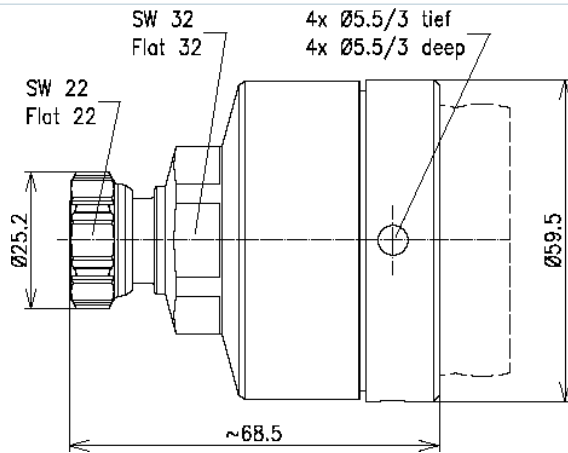
Wrench size front	mm (in)	Open end wrench 32 (1-1/4)
Poly Hook Spanner	mm (in)	PHS 60-90-5 Ø 60-90 (2.3-3.5) Pin 5 (0.2)

TESTING AND ENVIRONMENTAL

Waterproof Level		IP68
------------------	--	------



4.3-10 Male Connector for 1-5/8" Coaxial Cable, OMNI FIT™ standard, O-ring sealing



External Document Links

Application Note
Installation Instruction

Notes