



## Coaxial Adapter 7-16 female - N male

Coaxial Adapter, 7-16 Female/N Male



### Technical Features

#### STRUCTURE

Product Line	Coaxial Cable Components
Product Type	Coaxial Adapter
Coaxial Cable Type	Foam Dielectric, Ultraflexible Foam Dielectric , Radiating Cable

#### MECHANICAL SPECIFICATIONS

Connector A	7-16 DIN Female
Center Contact Connector A	Spring Bronze, silver plated
Outer Contact Connector A	Brass, silver plated
Connector B	N Male
Center Contact Connector B	Brass, silver plated
Outer Contact Connector B	Brass, silver plated
Body	copper alloy, nickel plated
Dielectric	PTFE
Gasket	Silicone rubber
Sealing class	IP68, connected

#### ELECTRICAL SPECIFICATIONS

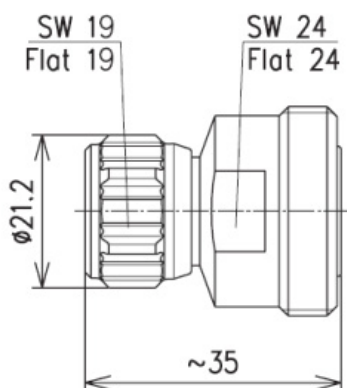
Frequency Range	MHz	DC - 8000
VSWR, Return Loss	VSWR (dB)	0-2000 MHz: 1.02 (40) 2000-2700 MHz: 1.04 (34) 2700-3700 MHz: 1.06 (30.5)
Insertion Loss (Max)	dB	0.02
3rd Order IM Product @ 2x20 Watts	dBc	< -165

#### TEMPERATURE SPECIFICATIONS

Operation Temperature	°C (°F)	-45 to 85 (-49 to 185)
-----------------------	---------	------------------------

#### PACKAGING INFORMATION

Package Quantity	1
------------------	---





## Coaxial Adapter 7-16 female - N male

External Document Links	Notes