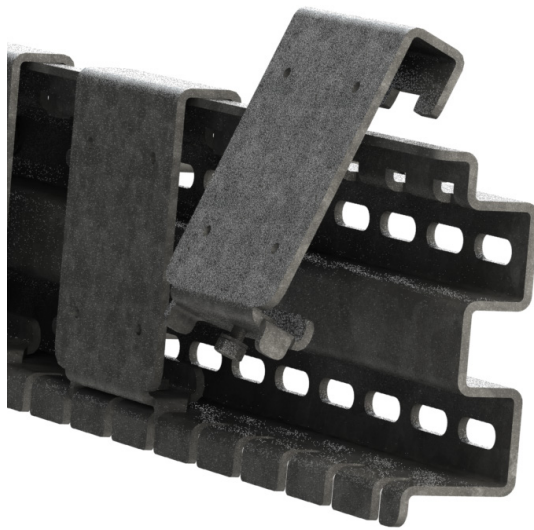
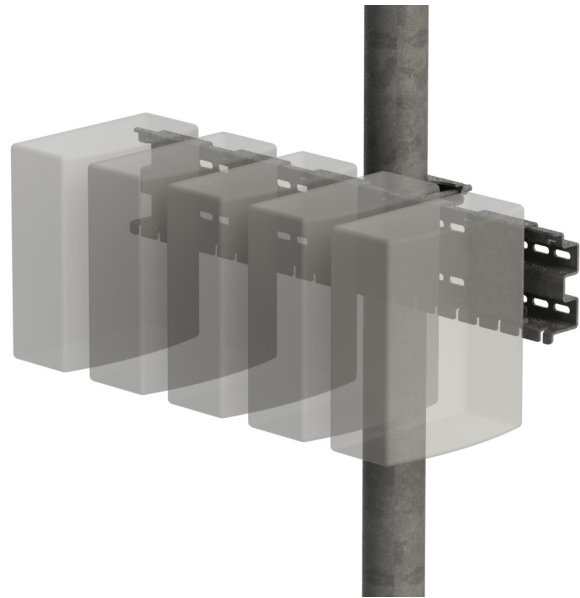
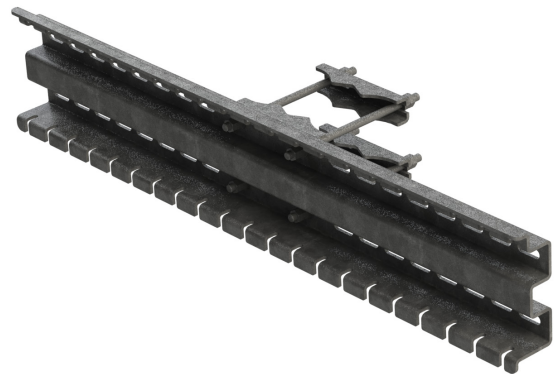


MAFI 6210

Remote Radio Rail System



Easy assembling of adaptor plates



Content of kit 6210

Designed to provide a secure mounting solution for 1 - 5 remote radio units to a rail system.

Flexibility

The Remote Radio Rail System is developed to accommodate up to 5 remote radio units, eliminating the need of multiple poles.

6210-kit includes rail system and necessary clamps and fasteners to attach to angular, circular or box beam members. Option **62001** includes one Huawei adaptor plate and fasteners for rail system.

See equipment hole patterns on next page for c/c measurements, and also functional layout for rail system.

How to Order

To order this kit, please contact MAFI quoting below article numbers:

6210 - Rail system

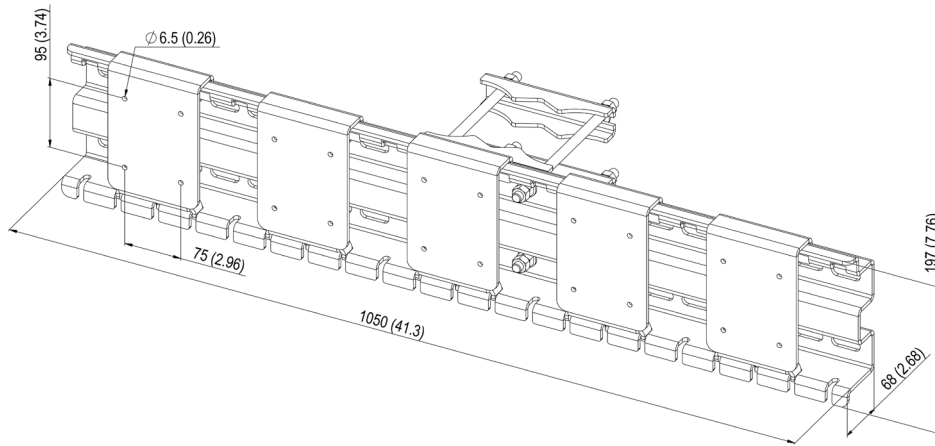
62001 - Specify quantity (1-5 for each 6210)

Contact information can be found at www.mafigroup.com.



Content of kit 62001

Measurements in mm (in)



Parent member



50 × 50–80 × 80 mm
2 x 2–3.1 x 3.1 in



Ø 76.1–114.3 mm
Ø 3–4.5 in



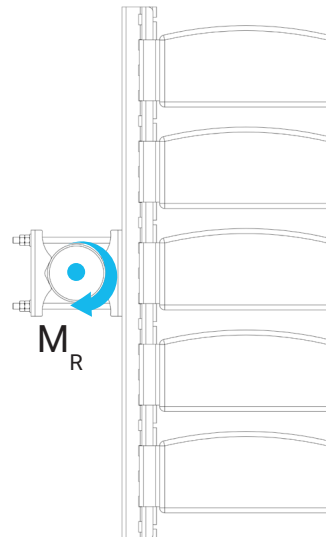
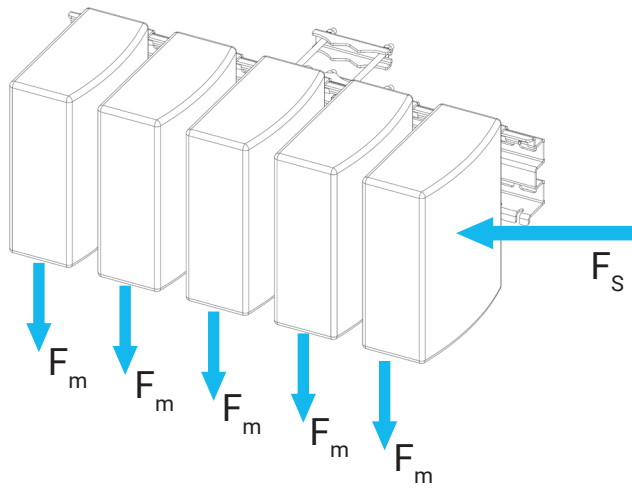
50 × 50–80 × 80 mm
2 x 2–3.1 x 3.1 in

Performance

Load capacity (F_m): 5 x 50 kg (lb)

Maximum side force (F_s): 970 N

Rot. slip resistance (M_R): See *Rotational Slip Table*



Parts list

Part	Material	Quantity 6210	Quantity 62001
Rail	S355MC HDG	1	
Clamp	S355MC HDG	4	
Adaptor plate	S355MC HDG	-	1
Fasteners	8.8 HDG	Incl.	Incl.