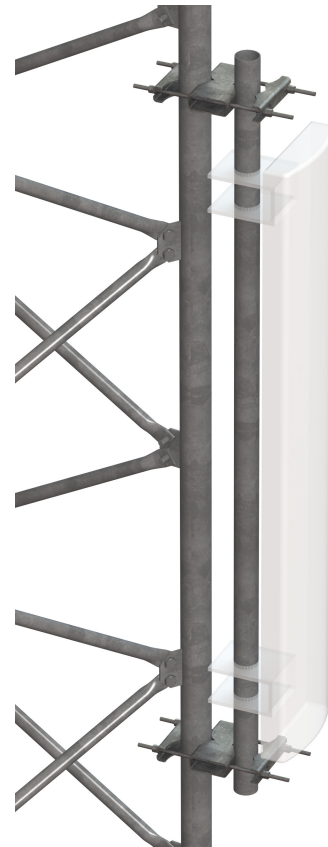


MAFI 3274

Small Universal Pole Mount



Designed for mounting an equipment pole on a parent pole or tower leg. The kit consists of a pair of brackets with all necessary fixings.

Flexibility

Can be mounted on any round member from $\varnothing 25 - 114$ mm as well as equal-angle or square section members up to 80×80 mm. Equipment poles can range from $\varnothing 48 - 114$ mm.

Detailed design data

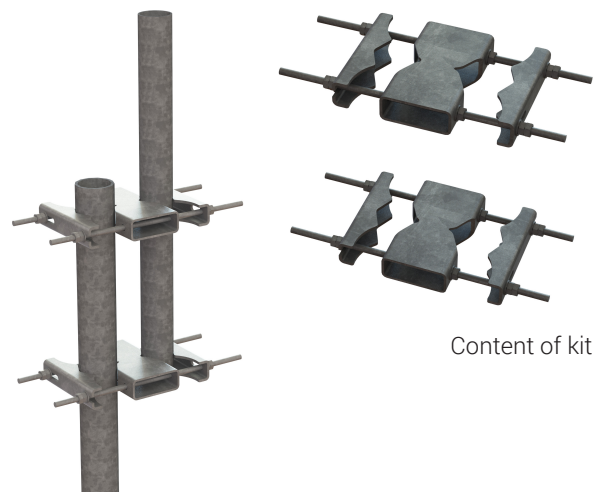
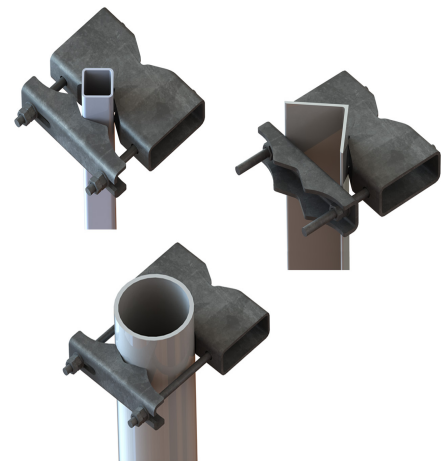
Detailed design data for this product can be found at www.mafi.se.

How to Order

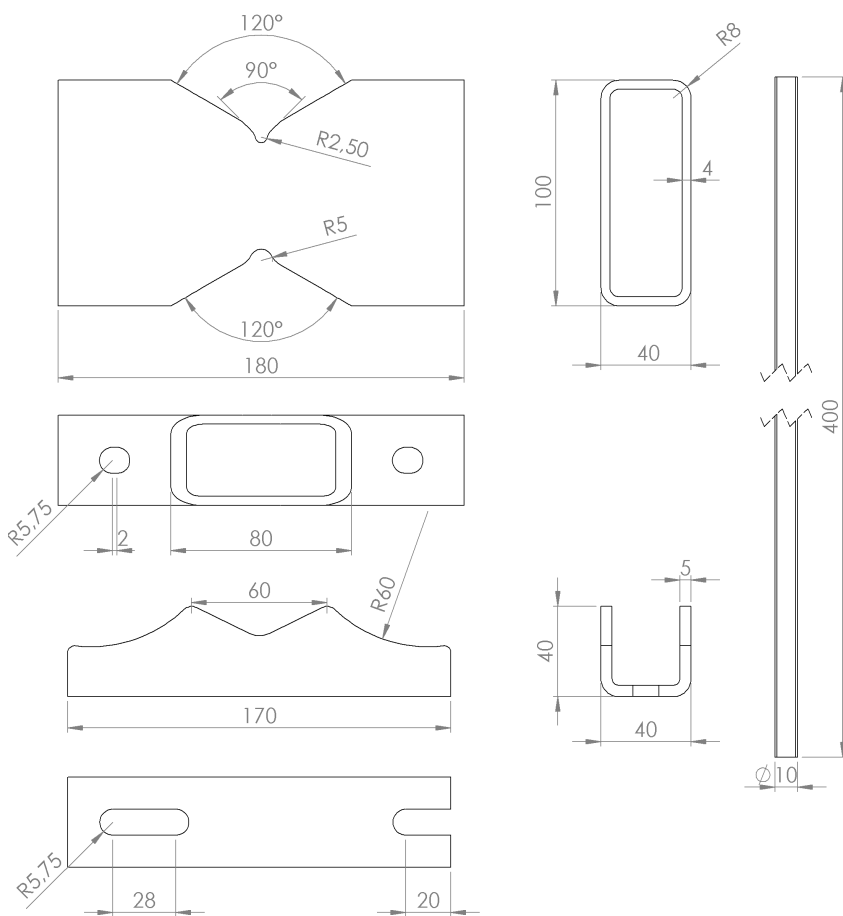
To order this kit, please contact MAFI quoting article number:

3274 or E-order number (SEG): **6000688**

Contact information can be found at www.mafi.se.



Content of kit



Parent pole/leg

40 × 40 up to 80 × 80 mm

Ø 25 – 114.3 mm

Equipment pole

Ø 48 – 114.3 mm

Tightening torque

Threaded rods: 18 Nm

Part list

Parts	Material	Quantity
Clamps	S355MC FZV	6
Threaded rod M10	8.8 FZV	4
Nuts M10	8.8 FZV	20
Washer M10	8.8 FZV	12

Package data

Product	Length (mm)	Width (mm)	Height (mm)	Weight (kg)
3274	410	110	50	5.8

Product options

Tubes of various lengths and diameter can be ordered from MAFI.



EN 1090

Design resistance data

The load limits given in this data sheet apply to the MAFI product only. The designer should always check that the supporting structure can safely carry the loads applied to it by the MAFI product.

Vertical load

Max Supported Equipment mass (including weight of offsetpole = 250 kg

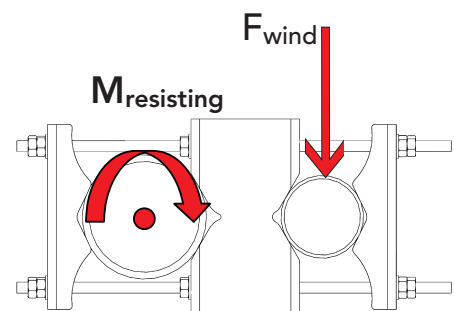
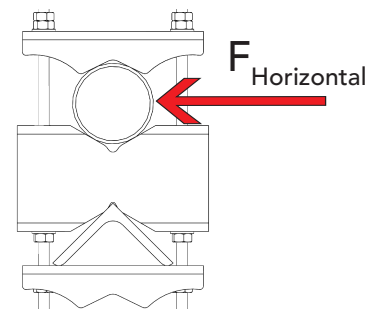
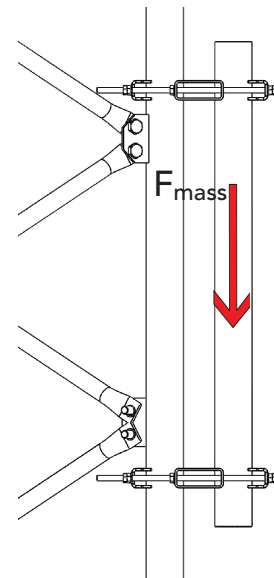
Ultimate Transient Man-Load = 2.4 kN

Horizontal load

Ultimate transient horizontal load per bracket = 4000N

Rotational slip resistance

When high side forces can be expected, use the tables below to check for rotational slip when mounting on a circular pole. Use ultimate loads and equipment offset to calculate the applied torque.



Ultimate Torque Capacity per bracket

Parent Pole \varnothing (mm)	Torque (Nm)
42.3	152
48.3	178
60.3	230
76.1	298
88.9	353
101.6	408
114.3	462