

High Torque Tower Leg Offset Family

MSS

MAFI 3622 CE
3623 CE

About the Product

Designed for mounting an offset member to either a vertical or inclined circular member where a high torque resistance is required. Total carrying capacity is up to 250 kg (551 lb) per kit.

How to Order

To order, please contact MAFI quoting article number:

3622

3623

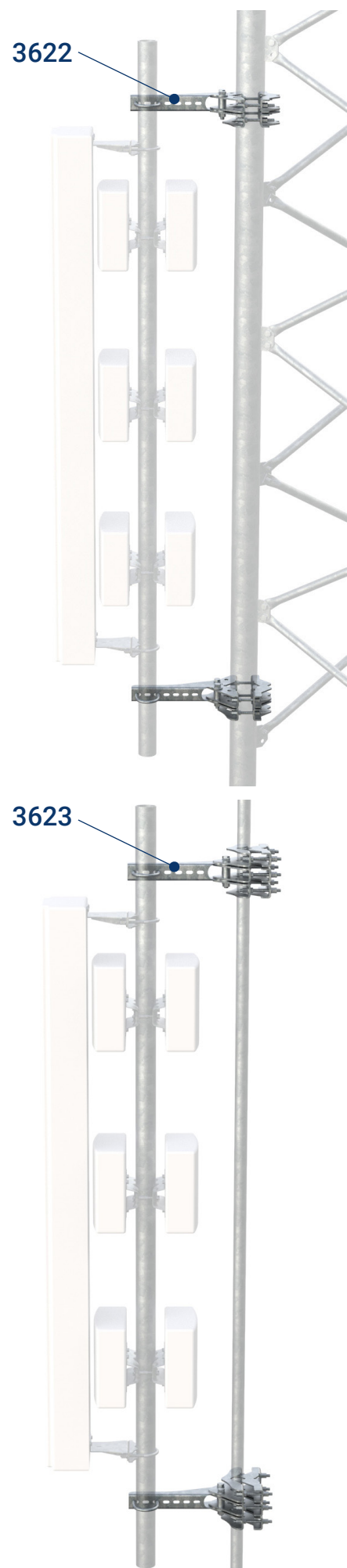
Please visit <https://www.mafigroup.com/how-to-order/> for regional contact information.



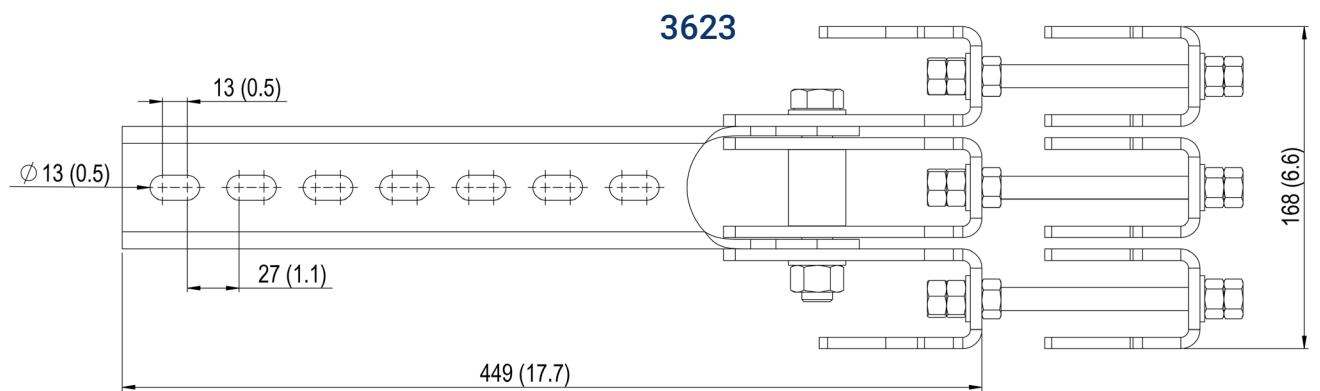
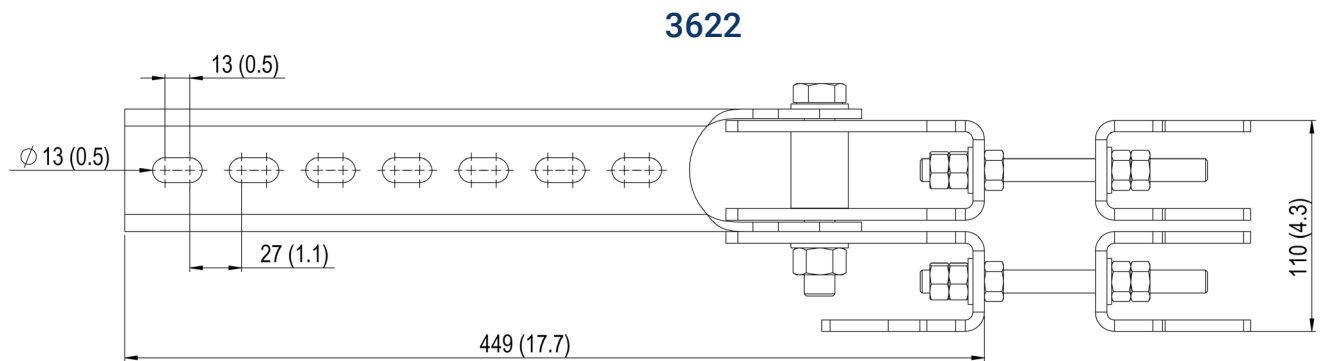
3622



3623

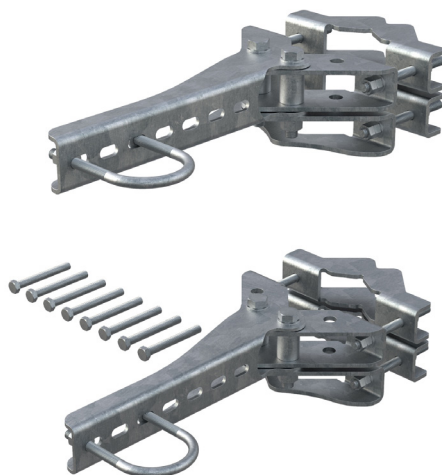


Measurements in millimeters (inches)



Content of kit

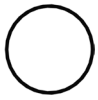
3622



3623



Parent member



3622:

Ø 76.1 – 139.7 mm
Ø 3 – 5.5 "



3623: (Only solid member)

Ø 40 – 60.3 mm
Ø 1.6 – 2.4 "

Offset member



Ø 60.3 – 76.1 mm
Ø 2.4 – 3 "

Optional:

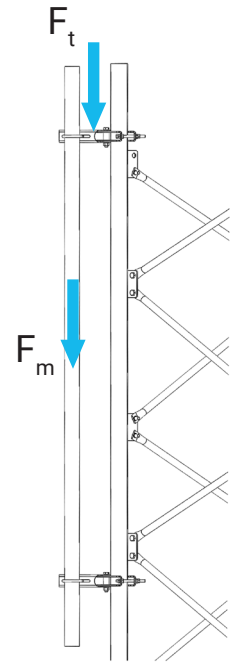
Ø 88.9 – 114.3 mm
Ø 3.5 – 4.5 "

Performance

Ultimate transient man-load (F_t): 2.4 kN

Maximum Horizontal Force (F_H): 4000 N

Load capacity (F_m): 250 kg (551 lb)



Rotational Slip Resistance (M_R) per single bracket

Use ultimate loads to calculate the resulting torque

Circular Parent member Ø mm (")	Torque in Nm 3622	Torque in Nm 3623
40 (1.6)	–	426
42.3 (1.7)	–	456
48.3 (1.9)	–	534
60.3 (2.4)	–	690
76.1 (3)	596	–
88.9 (3.5)	706	–
101.6 (4)	816	–
114.3 (4.5)	924	–
139.7 (5.5)	1144	–

Parts list

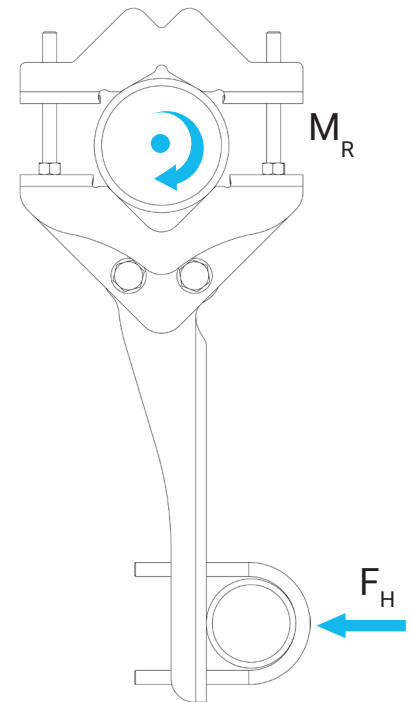
Part	Material	Quantity 3622	Quantity 3623
Clamp	S355MC HDG	8	12
Bracket	S355MC HDG	2	2
U-bolt M12	8.8 HDG	2	2
Threaded Rod M12	8.8 HDG	8	12
Fasteners	8.8 HDG	Incl.	Incl.

Package data

Product	Length mm (")	Width mm (")	Height mm (")	Weight kg (lb)
3622	530 (20.9)	317 (12.5)	78 (3.1)	19 (41.9)
3623	755 (29.7)	306 (12)	87 (3.4)	25.2 (55.6)

Product options

2867-1: U-bolt kit for circular offset members Ø 88.9 – 114.3 mm (3.5 – 4.5 ")



Offset

Product	Min Offset mm (")	Max Offset mm (")
3622	219 (8.6)	424 (16.7)
3623	195.5 (7.7)	424 (16.7)