

# MAFI 4612

## Free Standing Corner Mount 4x4



4612

Designed to provide mounting opportunity for antennas and other equipment on locations where free standing solutions are needed.

### About the Product

This freestanding structure delivers robust rooftop equipment-pole(s) without the need to penetrate weatherproofing layers. Adjustable ballast-carrying cross beams enable the use of different sizes of concrete paving slabs depending on availability. The pole(s) can be kept vertical even when the surface is sloping up to 4°. The default pole size is Ø114.3 (4.5in) (Designer to confirm length and section), but you can also specify Ø76.1 (3in) by using the product option U-bolt 2801-1. The poles can be folded flat, facilitating both installation and maintenance.

### Additional Data

Additional information for this product can be found at [www.mafigroup.com](http://www.mafigroup.com), or use the QR-codes on page four.

### How to Order

To order this kit, please contact MAFI quoting article number or visit our webshop [www.mafigroup.com](http://www.mafigroup.com).

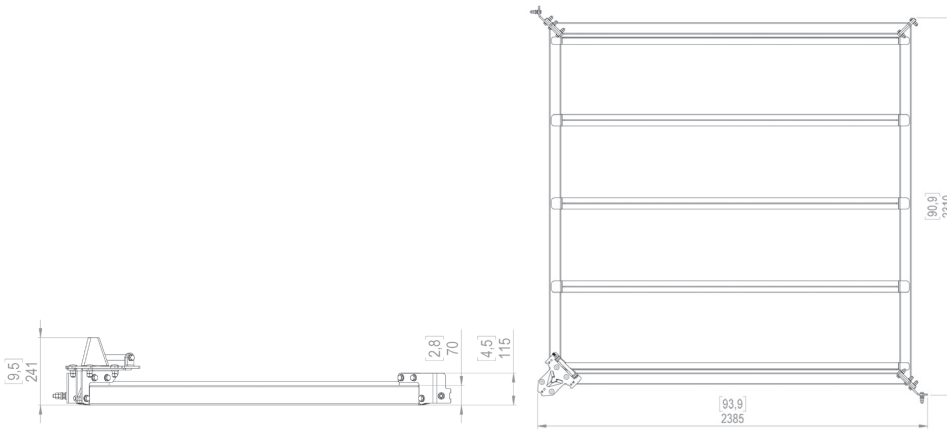
**4612**

Contact information can be found at [www.mafigroup.com](http://www.mafigroup.com).

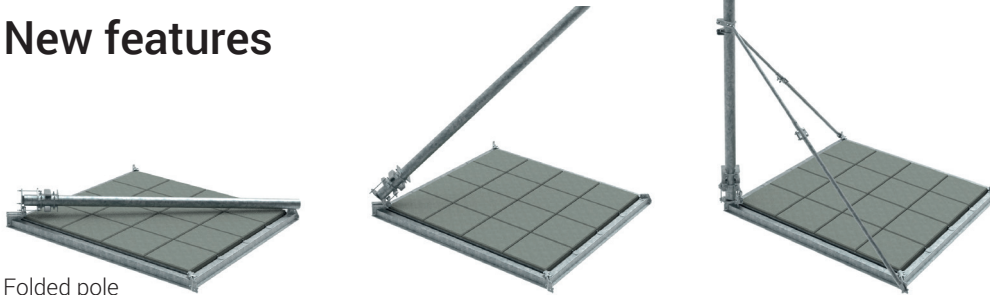


Content of kit 4612

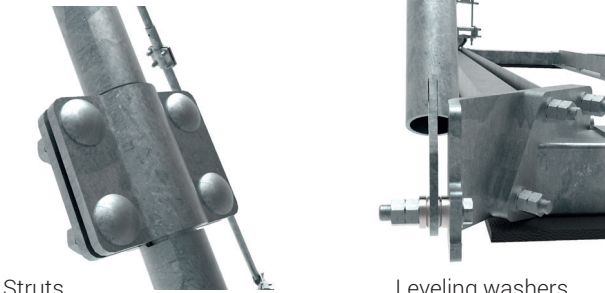
Measurements in  
millimeters [inches]



## New features



Folded pole



Struts

Leveling washers



Cone with tilt function  
fits 76 and 114 mm

## Parts list

Part	Material	Quantity 4612
Cone kit	S355MC HDG	1
Frame kit	S355J2H HDG S355MC HDG Cell polyethylene RG 100	1
Additional kit	S355MC HDG 8.8 HDG or equivalent	1
Strut	P235TR1 HDG	2

## Package data

Product	Length mm (in)	Width mm (in)	Height mm (in)	Weight kg (lb)
4612	2300 (90.6)	350 (13.8)	350 (13.8)	137 (302)

## Product options

**42071:** Concrete block to increase ballast weight. Weight 28 kg (62 lb) / Concrete block.

**91124:** Additional strut for yoke arms to be attached to  $\varnothing$  76.1 mm (3 in) pole.

**2801-1:** U-bolt kit to fit  $\varnothing$  76.1 mm (3 in) pole.

For more product options, see last page in this product sheet.

Poles of various lengths, diameters and wall thicknesses can be ordered from MAFI.

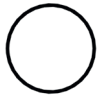


4612



EN 1090

## Parent member



Ø 114.3 mm / Ø 4.5 in

Ø 76.1 mm / Ø 3 in (optional)

Recommended maximum tilt: 4°

## Ballast block capacity

**4612:**

Half ballast: 16 pcs **42071**

Full ballast: 32 pcs **42071**

Maximum ballast weight: 896 kg (1975 lb)

## Design resistance data

The load limits given in this data sheet apply to the MAFI product only. The designer should always check that the supporting structure can safely carry the loads applied to it by the MAFI product.

### Overturning moment

For this family of freestanding structures the critical dimensioning parameter is the ability to resist overturning. The figures in the overturning moment table need to be higher than the moment applied by the design wind loads (i.e ultimate load including load factors) acting on the pole and the supported equipment.

The roof structure should be checked by an engineer to confirm that it can withstand the total weight of the structure. Also it should be confirmed that the friction between the product's rubber mat and the roof is enough to prevent sliding.

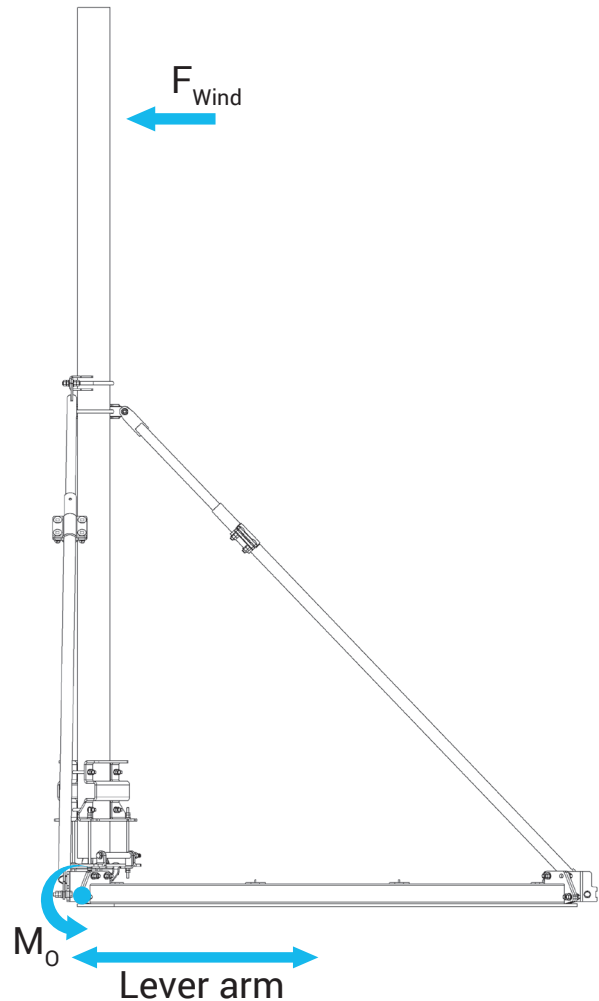
### Custom calculations

For custom calculations regarding design resistance for overturning, use the formula and the table below. The maximum allowed ballast stated on previous page and overturning moment in table below is not to be exceeded.

$$M_o = (\text{Ballast weight}^* + \text{Product weight}) \times 9.81 \times \text{Lever arm}$$

Product	Lever arm m (ft)	Product weight kg (lb)	Max overturning moment $M_o$ (Nm)
<b>4612</b>	1.10 (3.6)	107.5 (237)	9790

\* When using formula above to calculate overturning moment, use ballast weight of 25 kg (55 lb) per each **42071** concrete block.



# Platform options

