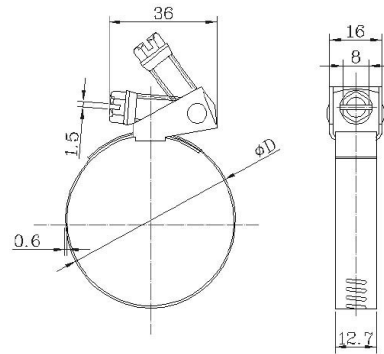


Quick Release Hose Clips – Slotted Band (178-457)



Quick release style worm drive clips are indispensable for installation in closed systems where the clamp must be disengaged to be applied. The swivel-action locking of screw to band makes both installation and removal fast and easy.

This is a first class answer to the ducting industry and is a most flexible clip. It quite happily wraps around awkward bundles and because of the range availability is a valuable cover-all clip to keep in maintenance departments.

Quick Release Hose Clips

Part No.	Pipe/Tower Leg Diameter
QRHOSE178	44mm-178mm
QRHOSE217	51mm-217mm
QRHOSE311	51mm-311mm
QRHOSE408	51mm-408mm
QRHOSE457	362mm-457mm

Part	Size	Material
Hex Screw	5/16" (8mm)	SS 301
Band	1/2" (12.7/13mm)	SS 201
Housing		SS 304
Fixing Plate		SS410