

4600* 

Free Standing Corner Mount



4600



4601



4602

Designed to provide mounting opportunity for antennas and other equipment on locations where free standing solutions are needed.

Flexibility

The structure is designed to support equipment-carrying tubes using ballast as counter weight. This provides mounting opportunity without penetrating weatherproofing layers on rooftops. Adjustable ballast-carrying cross beams make it possible to account for different sizes of concrete blocks depending on availability. The interface between the frame and the equipment pole is a cone-shaped folded steel sheet that provides a three-point contact even when tilting so that the pole can be kept vertical if the surface is sloping.

Additional Data

For package data see section **Package Data**.

Additional information for this product can be found at www.mafigroup.com, or use the QR-codes on next page.

How to Order

To order this kit, please contact MAFI quoting article number:

4600 or E-order number (SEG): **6000689**

4601 or E-order number (SEG): **6000690**

4602 or E-order number (SEG): **6000691**

Contact information can be found at www.mafigroup.com.



Option 91124



Content of kit 4600



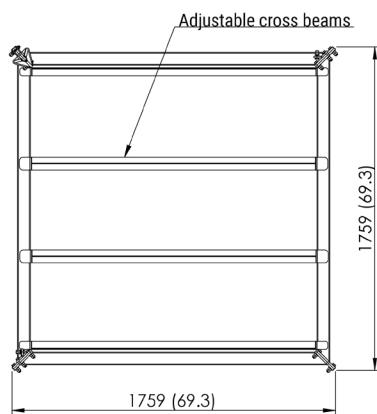
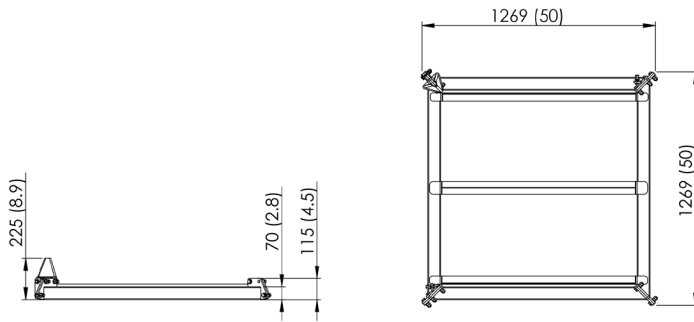
Content of kit 4601



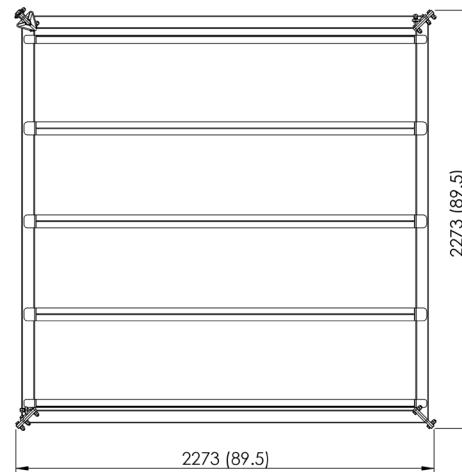
Content of kit 4602

Measurements in mm (in)

4600

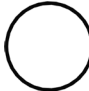


4601



4602

Parent member

-  Ø 76.1 mm
- Ø 3 in
- Option **91125**:
- Ø 114.3 mm
- Ø 4.5 in

Recommended maximum tilt: 4°

Ballast block capacity

- 4600:**
- Half ballast: 4 pcs **42071**
- Full ballast: 8 pcs **42071**
- Maximum ballast weight: 224 kg (494 lb)
- 4601:**
- Half ballast: 9 pcs **42071**
- Full ballast: 18 pcs **42071**
- Maximum ballast weight: 504 kg (1111 lb)
- 4602:**
- Half ballast: 16 pcs **42071**
- Full ballast: 32 pcs **42071**
- Maximum ballast weight: 896 kg (1975 lb)

Parts list

Part	Material	Quantity 4600	Quantity 4601	Quantity 4602
Cone	S355MC HDG	1	1	1
Frame side	S355J2H HDG	4	4	4
Cross beam	S355MC HDG	3	4	5
Strut	P235TR1 HDG	2	2	2
Protective mat	Cell polyethylene RG 100	4	4	4
Fasteners	8.8 HDG or equivalent	Incl.	Incl.	Incl.

Product options

42071: Concrete block to increase ballast weight.

91124: Additional strut for yoke arms to be attached to Ø 76.1 mm (3 in) tube.

91125: Clamp set for Ø 114.3 mm (4.5 in) tube. 3 clamps with U-bolts included.

Tubes of various lengths, diameters and wall thicknesses can be ordered from MAFI.



4600



4601



4602



EN 1090

Design resistance data

The load limits given in this data sheet apply to the MAFI product only. The designer should always check that the supporting structure can safely carry the loads applied to it by the MAFI product.

Overturning moment

For this family of freestanding structures the critical dimensioning parameter is the ability to resist overturning. The figures in the overturning moment table need to be higher than the moment applied by the design wind loads (i.e ultimate load including load factors) acting on the pole and the supported equipment.

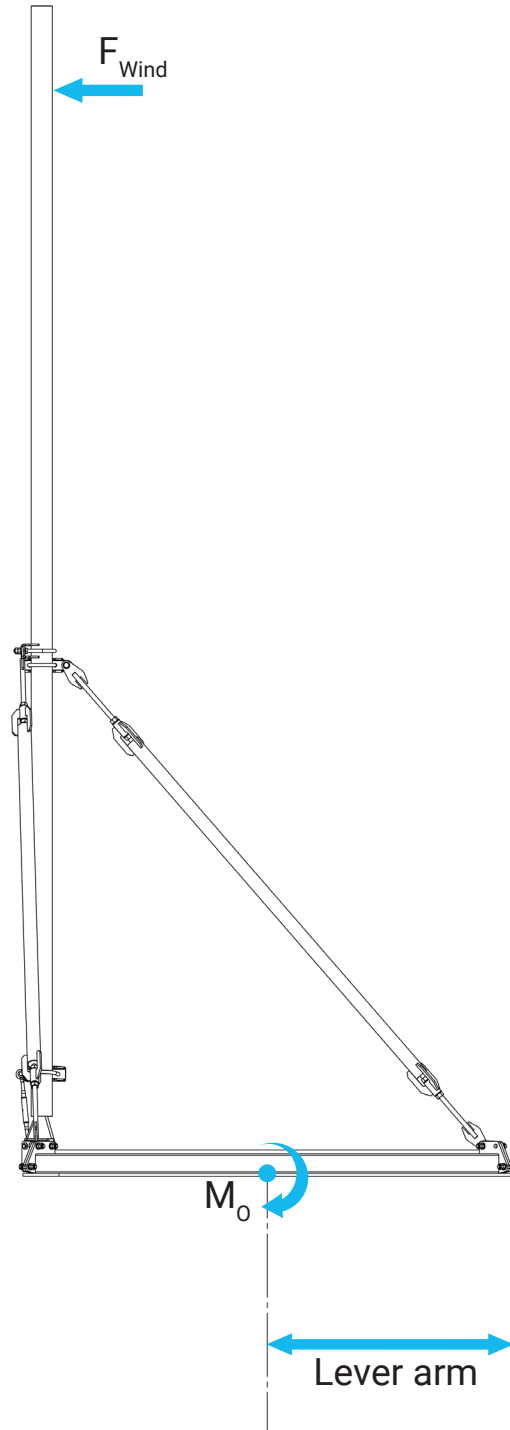
The roof structure should be checked by an engineer to confirm that it can withstand the total weight of the structure. Also it should be confirmed that the friction between the product's rubber mat and the roof is enough to prevent sliding.

Custom calculations

For custom calculations regarding design resistance for overturning, use the formula and the table below. The maximum allowed ballast stated on previous page and overturning moment in table below is not to be exceeded.

$$M_o = (\text{Ballast weight}^* + \text{Product weight}) \times 9.81 \times \text{Lever arm}$$

Product	Lever arm m (ft)	Product weight kg (lb)	Max overturning moment M_o (Nm)
4600	0.58 (1.9)	48.5 (106.9)	1410
4601	0.83 (2.7)	74.0 (163.1)	4260
4602	1.10 (3.6)	107.5 (237)	9790

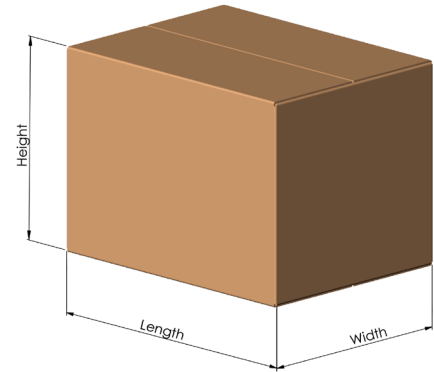


* When using formula above to calculate overturning moment, use ballast weight of 25 kg (55 lb) per each **42071** concrete block.

Package data

Package data

Product	Length mm (in)	Width mm (in)	Height mm (in)	Weight kg (lb)
1234	300 (11.8)	300 (11.8)	30 (1.2)	2.4 (5.3)
1236	200 (7.9)	50 (2)	50 (2)	0.5 (1.1)
1237	460 (18.1)	110 (4.3)	40 (1.6)	1.5 (3.3)
1241	200 (7.9)	180 (7.1)	140 (5.5)	2.9 (6)
1242	570 (22.4)	125 (4.9)	25 (1)	1.6 (3.5)
2230	1100 (43.3)	160 (6.3)	100 (3.9)	13.8 (30.4)
2231	2100 (82.7)	160 (6.3)	100 (3.9)	20.3 (44.8)
2232	3100 (122)	160 (6.3)	100 (3.9)	26.8 (59.1)
2233	1100 (43.3)	160 (6.3)	100 (3.9)	14.8 (32.6)
2234	2100 (82.7)	160 (6.3)	100 (3.9)	21.3 (47)
2235	3100 (122)	160 (6.3)	100 (3.9)	27.8 (61.3)
2414	385 (15.2)	295 (11.6)	200 (7.9)	17 (37.5)
3022	1040 (40.9)	170 (6.7)	95 (3.7)	21 (46.3)
3058	420 (16.5)	100 (3.9)	110 (4.3)	2.6 (5.7)
3115	250 (9.8)	150 (5.9)	100 (3.9)	4 (8.8)
3116	178 (7)	175 (6.9)	82 (3.2)	3.2 (7.1)
3117	280 (11)	180 (7.1)	120 (4.7)	6.2 (13.7)
3263	640 (25.2)	115 (4.5)	65 (2.6)	7.3 (16.1)
3265	640 (25.2)	150 (5.9)	70 (2.8)	7.5 (16.5)
3268	1050 (41.3)	170 (6.7)	65 (2.6)	12.1 (26.7)
3270	2000 (78.7)	160 (6.3)	160 (6.3)	40 (88.2)
3272	1050 (41.3)	170 (6.7)	65 (2.6)	19.4 (42.8)
3273	460 (18.1)	115 (4.5)	60 (2.4)	6.2 (13.7)
3274	410 (16.1)	110 (4.3)	50 (2)	5.8 (12.8)
3510	210 (8.3)	160 (6.3)	120 (4.7)	6 (13.2)
3541	385 (15.2)	300 (11.8)	90 (3.5)	4.9 (10.8)
3544	590 (23.2)	450 (17.7)	150 (5.9)	13.8 (30.4)
3610	440 (17.3)	280 (11)	80 (3.1)	12.1 (26.7)
3611	500 (19.7)	280 (11)	80 (3.1)	12.9 (28.4)
3612	500 (19.7)	280 (11)	80 (3.1)	11.2 (24.7)
3613	500 (19.7)	400 (15.7)	100 (3.9)	16.5 (36.4)
3614	440 (17.3)	400 (15.7)	100 (3.9)	17.5 (38.6)
3615	440 (17.3)	400 (15.7)	100 (3.9)	16.1 (35.5)
4019-2	360 (14.2)	230 (9.1)	90 (3.5)	5.8 (12.8)
4019-3	430 (16.9)	360 (14.2)	60 (2.4)	10.6 (23.4)
4019-4	810 (31.9)	260 (10.2)	60 (2.4)	11.5 (25.4)
4020	230 (9.1)	210 (8.3)	85 (3.3)	4.3 (9.5)
4036	405 (15.9)	105 (4.1)	100 (3.9)	5.7 (12.6)
4037	395 (15.6)	105 (4.1)	60 (2.4)	1.9 (4.2)



Package data

Product	Length mm (in)	Width mm (in)	Height mm (in)	Weight kg (lb)
4112	1200 (47.2)	800 (31.5)	340 (13.4)	122 (269)
4120	1130 (44.5)	310 (12.2)	130 (5.1)	16.7 (36.8)
4309	1200 (47.2)	800 (31.5)	340 (13.4)	111 (244.7)
4310	1200 (47.2)	800 (31.5)	340 (13.4)	65.7 (144.8)
4316	1850 (72.8)	350 (13.8)	230 (9.1)	27 (59.5)
4415	390 (15.4)	230 (9.1)	120 (4.7)	13.5 (29.8)
4418	390 (15.4)	275 (10.8)	120 (4.7)	15.3 (33.7)
4600	1250 (49.2)	350 (13.8)	350 (13.8)	65 (143.3)
4601	1750 (68.9)	350 (13.8)	350 (13.8)	105 (231.5)
4602	2300 (90.6)	350 (13.8)	350 (13.8)	137 (302)
5012	300 (11.8)	255 (10)	65 (2.6)	5.2 (11.5)
5013	265 (10.4)	240 (9.4)	65 (2.6)	4.4 (9.7)
5022	300 (11.8)	255 (10)	65 (2.6)	5.7 (12.6)
5023	265 (10.4)	240 (9.4)	65 (2.6)	4.4 (9.7)
5030	390 (15.4)	240 (9.4)	130 (5.1)	12.5 (27.6)
5031	260 (10.2)	230 (9)	75 (2.9)	8 (17.6)
5110	540 (21.3)	345 (13.6)	20 (0.8)	3.3 (7.3)
5310	150 (5.9)	110 (4.3)	40 (1.6)	2.8 (6.2)
5311	180 (7.1)	110 (4.3)	40 (1.6)	3.1 (6.8)
5312	180 (7.1)	110 (4.3)	40 (1.6)	3.1 (6.8)
5320	220 (8.7)	140 (5.5)	50 (2)	2.4 (5.3)
5321	250 (9.8)	150 (5.9)	50 (2)	2.7 (6)
6029	500 (19.7)	100 (3.9)	70 (2.8)	4.9 (10.8)
6030	215 (8.5)	155 (6.1)	70 (2.8)	1.5 (3.3)
7000	390 (15.4)	370 (14.6)	50 (2)	0.5 (1.1)
8051	1400 (55.1)	800 (31.5)	350 (13.8)	86 (189.6)
8057	1400 (55.1)	800 (31.5)	350 (13.8)	57 (125.7)
32655/57/58	400 (15.7)	100 (3.9)	50 (2)	1.2 (2.6)
32660/63	550 (21.7)	100 (3.9)	70 (2.8)	2 (4.4)
32664	550 (21.7)	100 (3.9)	70 (2.8)	2.7 (6)
41121	1200 (47.2)	800 (31.5)	340 (13.4)	118 (260.1)
43091	1200 (47.2)	800 (31.5)	340 (13.4)	94.9 (209.2)
43092	1200 (47.2)	800 (31.5)	340 (13.4)	100.7 (222)
43246	210 (8.3)	210 (8.3)	75 (2.9)	3.2 (7.1)
43247	230 (9.1)	230 (9.1)	75 (2.9)	4.4 (9.7)
43248	280 (11)	280 (11)	100 (3.9)	6.9 (15.2)
43249	280 (11)	280 (11)	100 (3.9)	7.8 (17.2)
43692	800 (31.5)	600 (23.6)	340 (13.4)	12.5 (27.6)
91100	1640 (64.6)	450 (17.7)	310 (12.2)	105 (231.5)
91101	2140 (84.2)	450 (17.7)	310 (12.2)	120 (264.6)
91110	2300 (90.6)	300 (11.8)	200 (7.9)	22 (48.5)