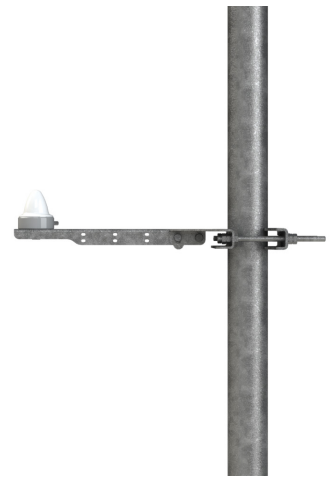
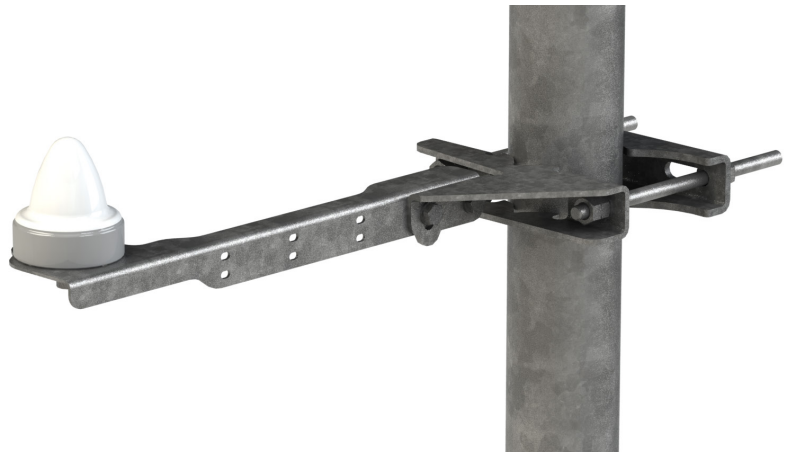


MAFI 3059

GPS Mount



0° tilt

About the Product

Designed to carry a GPS unit attached to a vertical or inclined structural leg member. Back clamp is equipped with slotted holes for easy pre-assembling on the ground. The arm can be tilted 0° – 10°, and is designed with cable routing holes.

How to Order

To order, please contact MAFI quoting article number:

3059

Please visit <https://www.mafigroup.com/how-to-order/> for regional contact information.

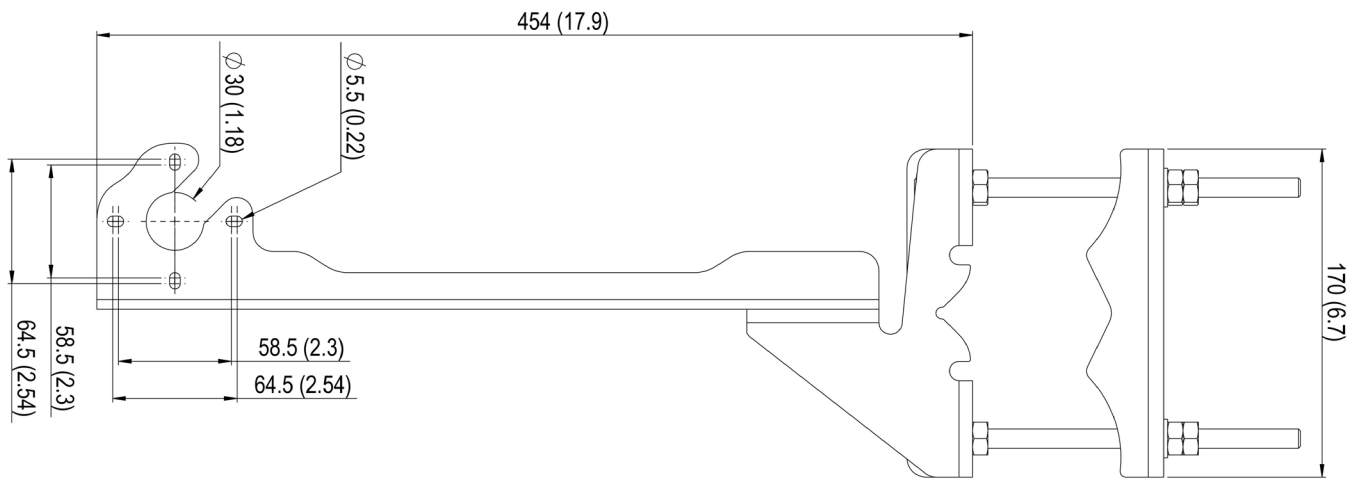


10° tilt



3059

Measurements in millimeters (inches)



Content of kit



Parent member



35 × 35–80 × 80 mm
1.4 × 1.4–3.1 × 3.1 "



Ø 25–114.3 mm
Ø 1–4.5 "

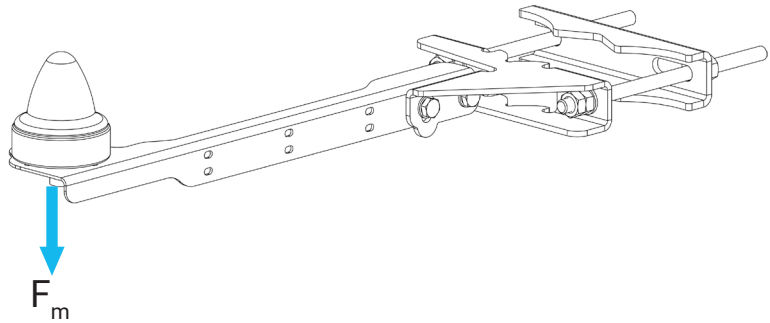


35 × 35–80 × 80 mm
1.4 × 1.4–3.1 × 3.1 "

Performance

Load capacity (F_m): 2 kg (4.4 lb)

Maximum tilt: 10°



Parts list

Part	Material	Quantity
Offset Arm	S235MC HDG	1
Tilt Bracket	S275MC HDG	1
Clamp	S355MC HDG	1
Threaded Rod M10	8.8 HDG	2
Fasteners	8.8 HDG	Incl.

Package data

Product	Length mm (")	Width mm (")	Height mm (")	Weight kg (lb)
3059	430 (16.9)	126 (5)	46 (1.8)	1.9 (4.2)