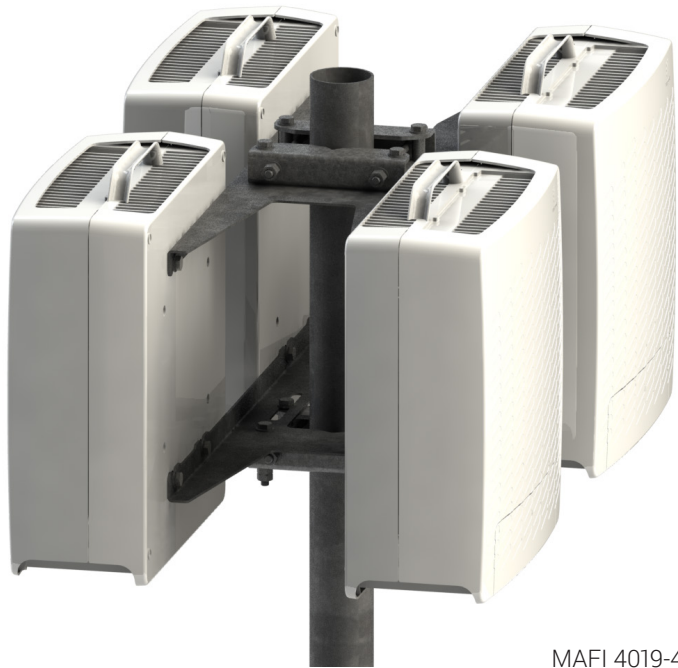


# MAFI 4019-\*

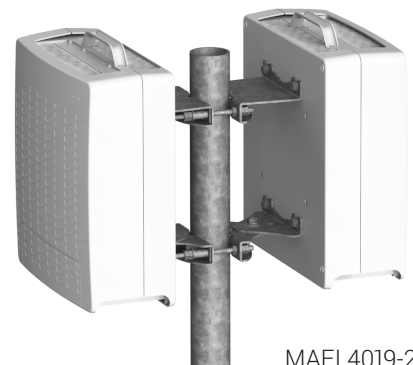
## RRU-Mount Family



MAFI 4019-4



MAFI 4019-3



MAFI 4019-2

Designed to provide a secure mounting solution for two, three or four Ericsson RRUs, with or without PSU. The double RRU mount, 4019-2, can also accommodate a configuration with two A2 units.

### Flexibility

The 4019-3 and 4019-4 will fit any round member from  $\varnothing 25 - 114$  mm, or any equal-angle or square-section member from  $40 \times 40 - 80 \times 80$  mm.

The 4019-2 will fit any round member from  $\varnothing 40 - 114$  mm, or any square-section member from  $40 \times 40 - 80 \times 80$  mm.

### Detailed design data

Detailed design data for this product can be found at [www.mafi.se](http://www.mafi.se).

### How to Order

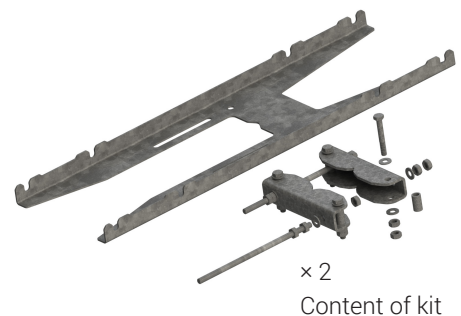
To order this kit, please contact MAFI quoting article number:

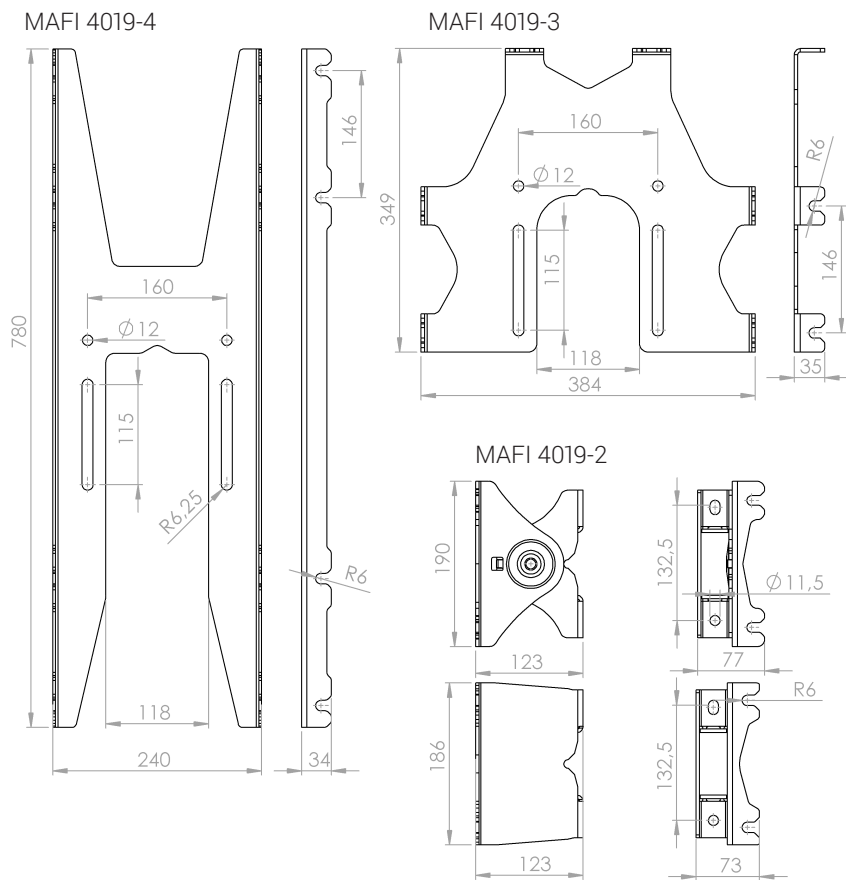
**4019-2** or E-order number (SEG): **6000684**

**4019-3** or E-order number (SEG): **6000685**







**4019-4** or E-order number (SEG): **6000686**

Contact information can be found at [www.mafi.se](http://www.mafi.se).






### Parent pole/leg

-  **4019-3:**  
40 × 40 mm up to 80 × 80 mm
-  **4019-4:**  
40 × 40 mm up to 80 × 80 mm
-  **4019-2:** Ø 40 – 114 mm
-  **4019-3:** Ø 25 – 114 mm
-  **4019-4:** Ø 25 – 114 mm
-  40 × 40 mm  
up to 80 × 80 mm

### Compatible RRU-models

-  Ericsson RRU family and other units with horizontal c/c distance of 146 mm (5 3/4")

### Tightening torque

Threaded rods M10:  
18 Nm or 26Nm  
Bolts M10: 41 Nm

### Part list

Parts	Material	Quantity 4019-2	Quantity 4019-3	Quantity 4019-4
Clamps	S355MC FZV	4	4	4
Sheet profile	S355MC FZV	-	2	2
Threaded Rods M12	8.8 FZV	4	4	4
Bolts M10	8.8 FZV	8	8	8
Flange bolts M10	A4	8	12	16
Bushings	S355J2H FZV	4	8	8
Nuts M10	8.8 FZV	28	36	36
Washers	FZV	20	24	24

### Package data

Product	Length (mm)	Width (mm)	Height (mm)	Weight (kg)
4019-2	360	230	90	5.8
4019-3	430	360	60	10.6
4019-4	810	260	60	11.5



4019-2



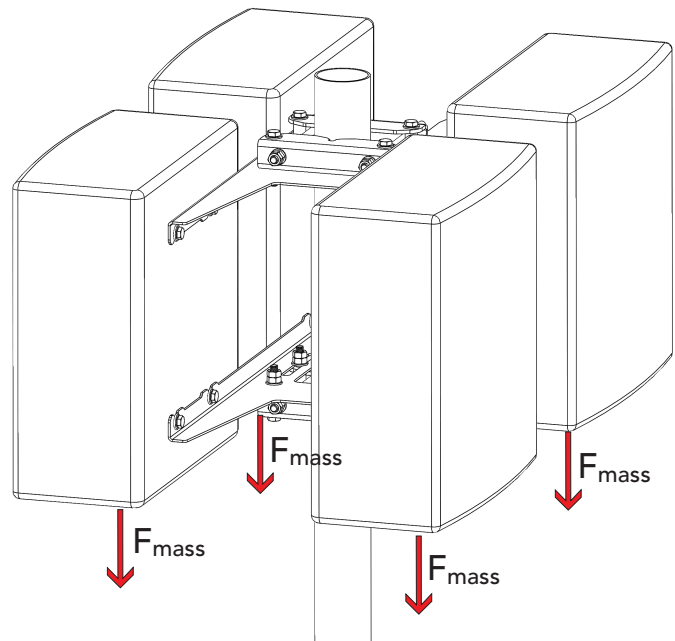
4019-3



4019-4



EN 1090



## Design resistance data

The load limits given in this data sheet apply to the MAFI product only. The designer should always check that the supporting structure can safely carry the loads applied to it by the MAFI product.

### Load resistance

Max equipment weight: 35 kg per equipment fitting instance ( $F_{mass} \approx 345 \text{ N}$ ).

An ultimate transient man-load of 2400 N is also accepted.