

CRIMPING TOOL : CEFT2



Description.

Hand held manual operated 3 jaw crimping tool with ratchet mechanism for complete controlled crimp cycle, for use with standard cordend ferrules 6 to 16mm/sq to Din standard 46228 pt 1 & 4. Can be supplied with calibration certificate if required.

Features.

High precision cast jaw set for optimum compression.

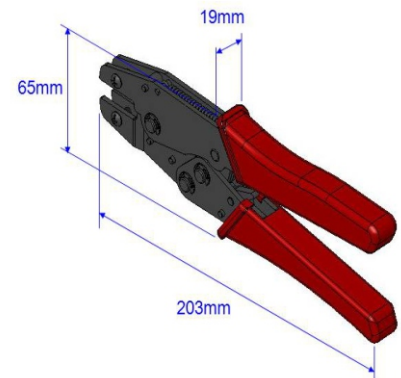
Ratchet control mechanism ensures precise controlled crimping cycle.

Emergency release lever for detachment of ratchet control during crimp cycle

Automatic opening of crimp tool on completion of crimp cycle.

Calibration /load adjustment device.

Ergonomically designed moulded plastic handles for reduction of operator fatigue.



Application.

For crimping of insulated & non insulated cordend terminals from 6mm to 16mm/sq. Meet the compression ratio requirements of BSEN 60999 & BSEN 60998.

Material specification.

Jaw set: carbon steel grade SCM440.

Frame: material steel grade S45C.

Handles : PP

weight: 0.39 kgs.