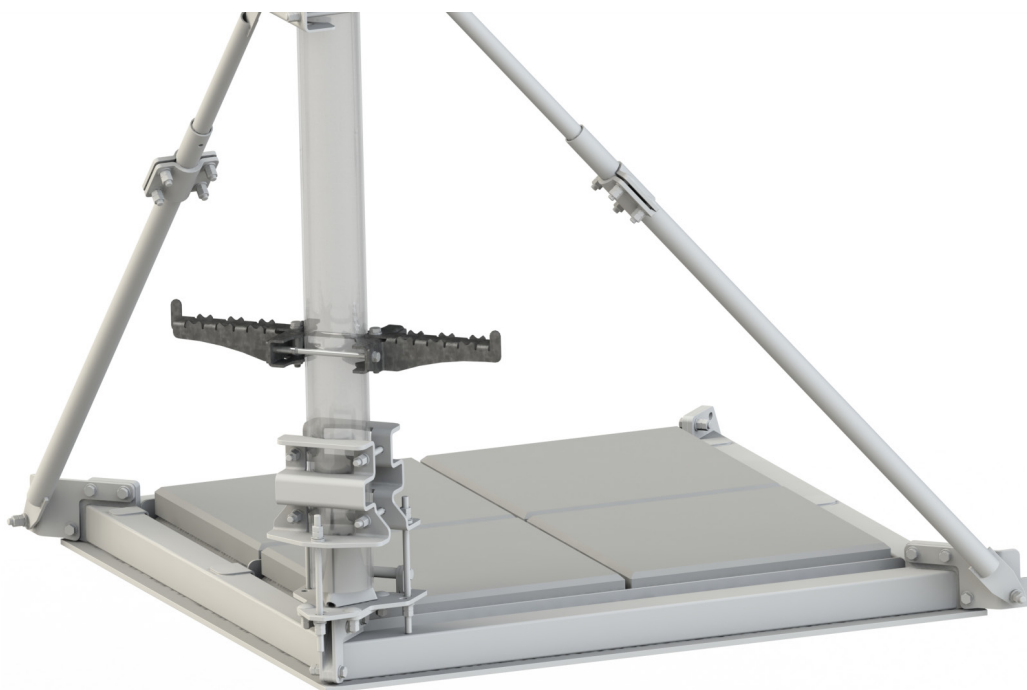


MAFI 4440

MSS

Footstep



About the Product

Designed to efficiently and quickly climb onto a parent tube, for example a free stander or dipod. MAFI 4440 fits round frame legs of $\varnothing 76\text{mm}$ to $\varnothing 114\text{mm}$.

How to Order

To order, please contact MAFI quoting article number:

4440

Please visit <https://www.mafigroup.com/how-to-order/> for regional contact information.

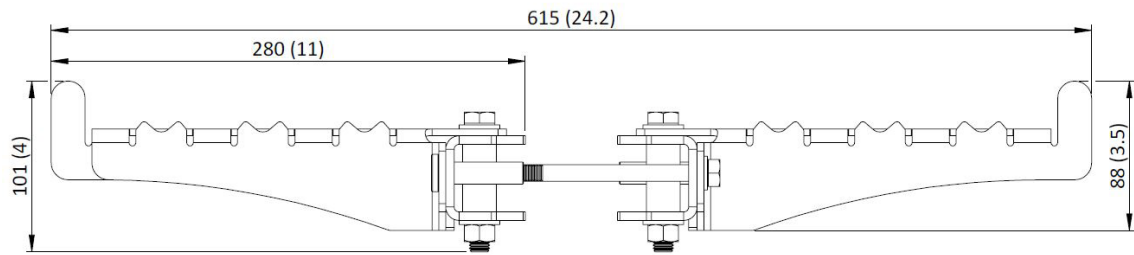
Content of kit 4440



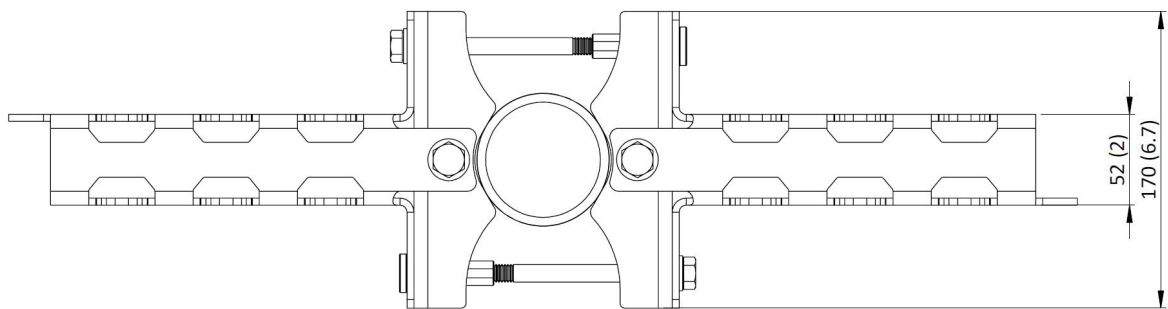
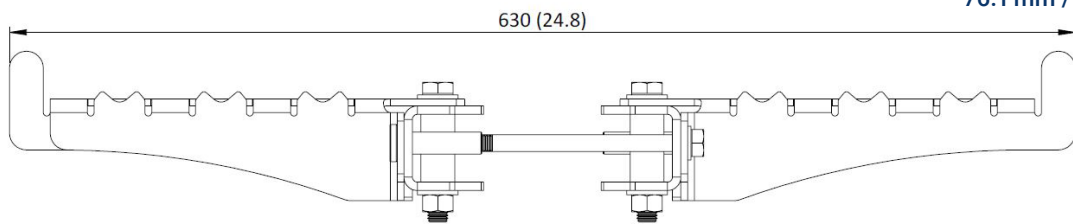
Measurements in millimeters (inches)

4440

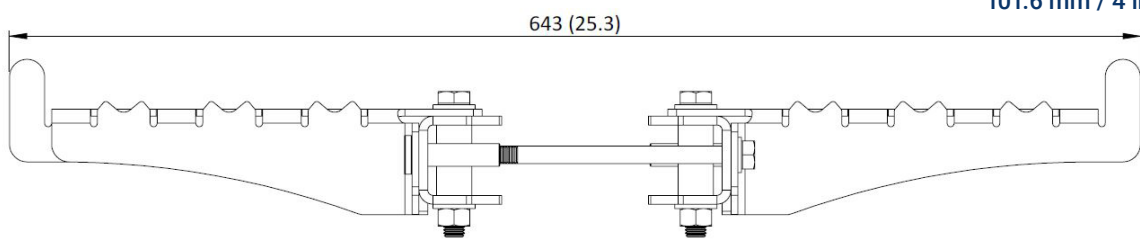
60.3 mm / 2.4 in pole



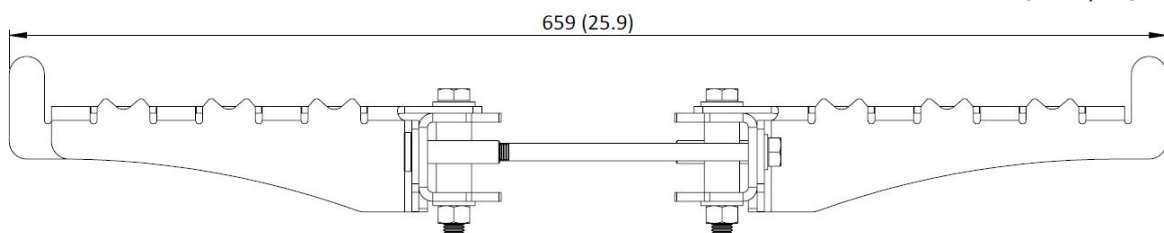
76.1 mm / 3 in pole



101.6 mm / 4 in pole



114.3 mm / 4.5 in pole



Parent member



4440:

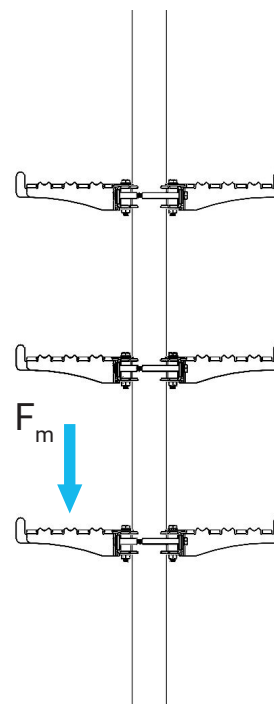
Ø 76.1 – 114.3 mm
Ø 3 – 4.5"

Performance

Load capacity (F_m): 1500 N

Tested and designed according to

SS-EN ISO 14122-4



Parts list

Part	Material	Quantity
Bracket	S355MC HDG	2
Footstep	S500MC HDG	2
Bolt M10 x 130	8.8 HDG	2
Bolt M10 x 150	8.8 HDG	2
Bolt M10 x 160	8.8 HDG	2
Bolt M10 x 180	8.8 HDG	2
Bushing nut M10 x 50	10B21	2
Washer 10.5 x 20 x 2	8.8 HDG	2

Package data

Product	Length mm (in)	Width mm (in)	Height mm (in)	Weight kg (lb)
4440	380 (14.96)	190 (7.48)	130 (5.12)	4.36 (9.61)



4440



EN 1090