

MAFI 5310*

Joint Plate Kit



MAFI 5310

Designed to provide perpendicular joints between solid or thick-walled circular member and square tubes.

Flexibility

Fits parent poles ranging from $\varnothing 25 - 60$ mm and square beams ranging from $50 \times 50 - 60 \times 60$ mm.

Detailed design data

Detailed design data for this product can be found at www.mafi.se.

How to Order

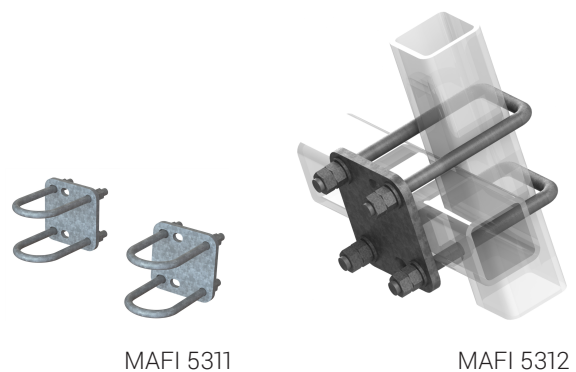
To order this kit, please contact MAFI quoting article number:

5310 or E-order number (SEG): **6000671**

5311 or E-order number (SEG): **6000672**

5312 or E-order number (SEG): **6000673**

Contact information can be found at www.mafi.se.

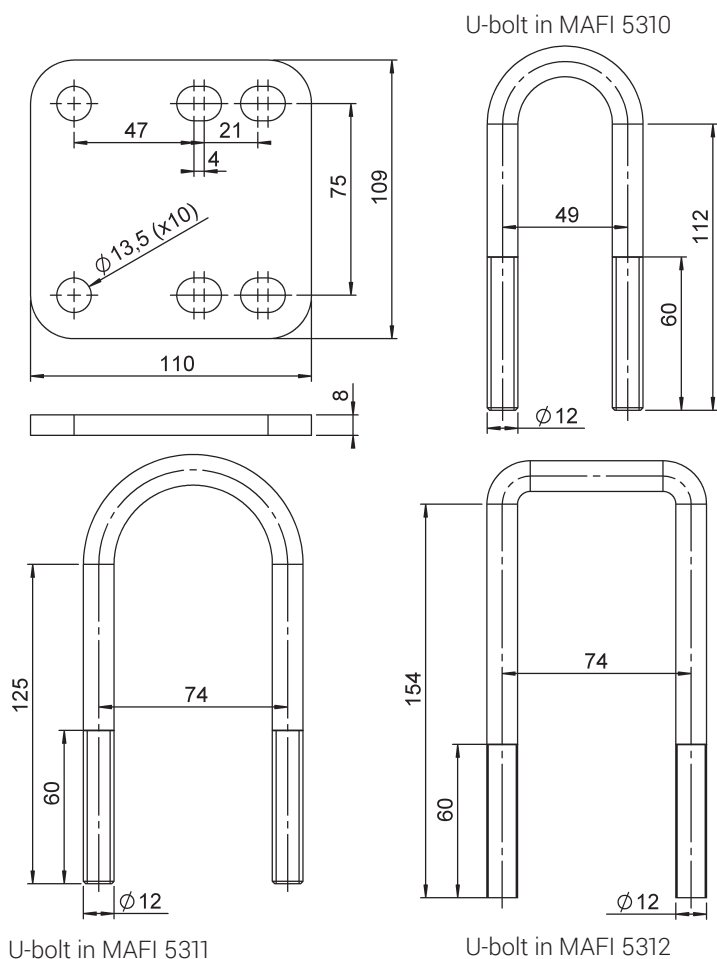


MAFI 5311



MAFI 5312




× 2
Content of kit




Parent pole/leg

-  **Art. 5310:**
Ø 25 – 35 mm
-  **Art. 5311:**
Ø35 – 60 mm

-  **Art. 5312:**
50 × 50 – 60 × 60 mm

Equipment pole

-  50 × 50 – 60 × 60 mm

Tightening torque

U-bolt M12: 15 Nm

Part list

Parts	Material	Quantity
Plates	S355MC FZV	2
U-bolts	8.8 FZV	4
Nuts and washers	8.8 FZV	24

Package data

Product	Length (mm)	Width (mm)	Height (mm)	Weight (kg)
5310	150	110	40	2.8
5311	180	110	40	3.0
5312	180	110	40	3.1

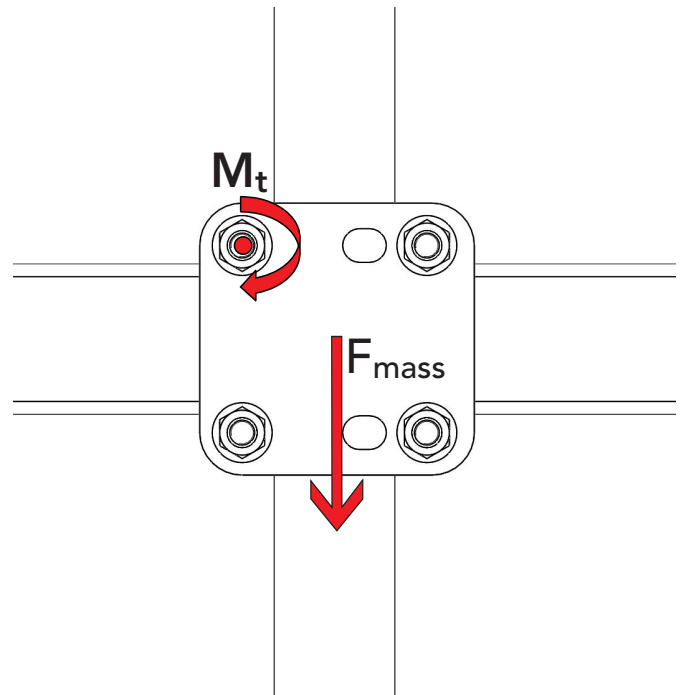
Product options

MAFI 5320, 5321: Crossover kit for members Ø 76.1, Ø 114.3, 50 × 50 – 60 × 60 mm.

Tubes of various lengths and diameter can be ordered from MAFI.



EN 1090



Design resistance data

The load limits given in this data sheet apply to the MAFI product only. The designer should always check that the supporting structure can safely carry the loads applied to it by the MAFI product.

Vertical load

Max Supported Equipment mass per joint $F_{mass} = 100$ kg

Tightening torque

Recommended tightening torque, with oiled nuts and bolts in delivery state $M_t = 15$ Nm.