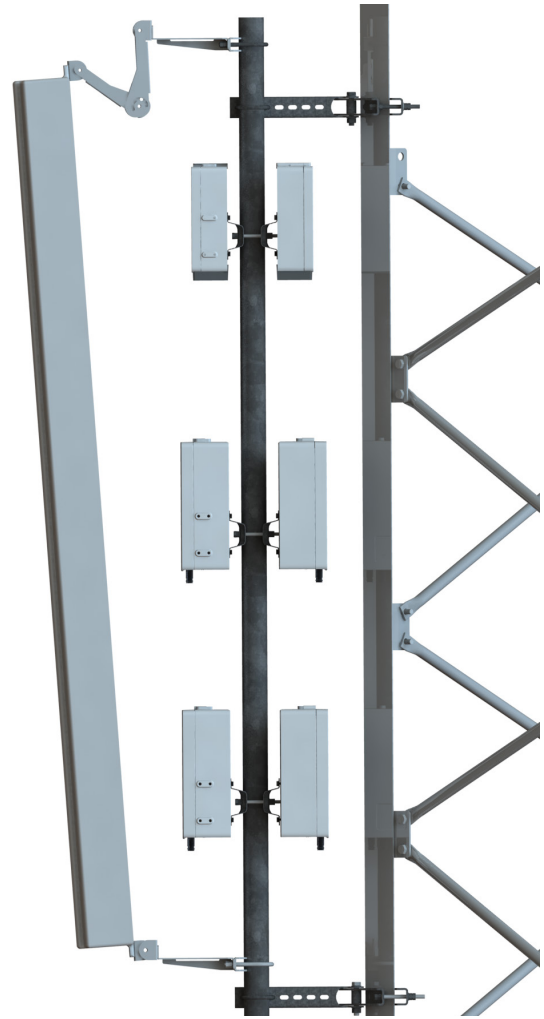


# MAFI 3611\*

## Vertical Tower Leg Offset Family



Designed for mounting an equipment pole on a vertical parent pole or tower leg. The kits consists of a pair of brackets with all necessary fixings.

### Flexibility

The 3611/3612 can be mounted on any round member from  $\varnothing 76 - 139$  mm as well as equal-angle or square section members from  $60 \times 60 - 120 \times 120$  mm, while the 3614/3615 can be mounted on any round member from  $\varnothing 139 - 245$  mm as well as equal angle or square section members from  $120 \times 120 - 200 \times 200$  mm.

Offset poles for any of the kits can range from  $\varnothing 60 - 114$  mm. The small and large offset arms provide maximum c/c offsets of 250 mm and 350 mm respectively.

### Detailed design data

Detailed design data for this product can be found at [www.mafi.se](http://www.mafi.se).

### How to Order

To order this kit, please contact MAFI quoting article number:

**3611** or E-order number (SEG): **6000678**

**3612** or E-order number (SEG): **6000679**

**3614** or E-order number (SEG): **6000680**

**3615** or E-order number (SEG): **6000681**

Contact information can be found at [www.mafi.se](http://www.mafi.se)



MAFI 3611



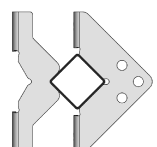
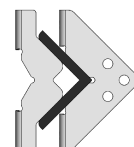
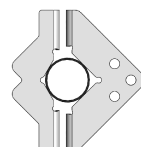
MAFI 3612

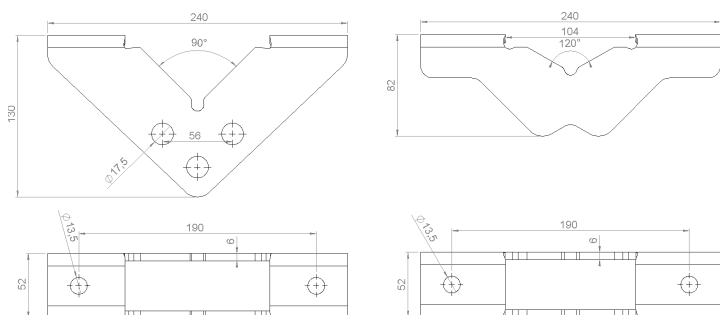


MAFI 3614

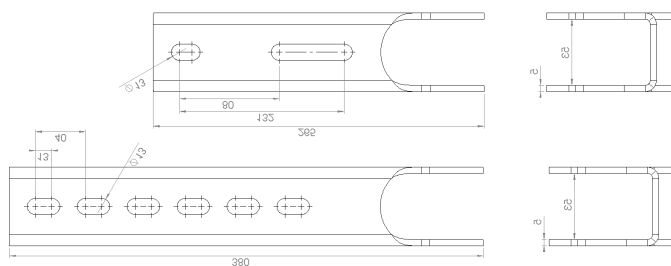


MAFI 3615

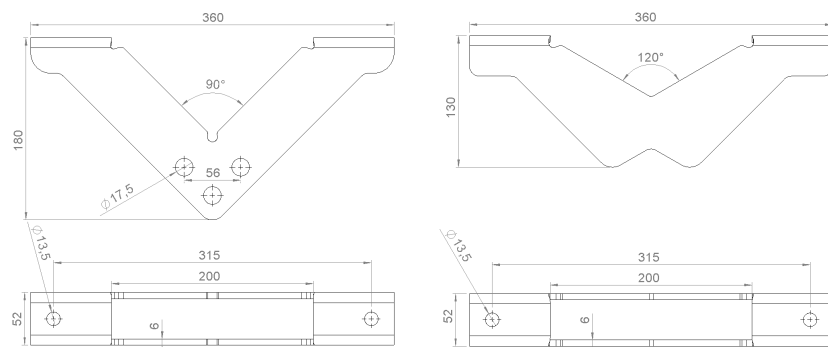




Small clamps (MAFI 3611 & 3612)



Shared offset brackets



Large clamps (MAFI 3614 & 3615)

### Part list

Parts	Material	Quantity
Clamps	S355MC FZV	4
Brackets	S355MC FZV	2
U-bolts M12	A4 or 8.8 FZV	2
Threaded rods M12	8.8 FZV	4
Nuts and washers M12	8.8 FZV	-

### Package data

Product	Length (mm)	Width (mm)	Height (mm)	Weight (kg)
3611	500	280	80	12.3
3612	500	280	80	11.1
3614	440	400	100	17.0
3615	440	400	100	16.1

### Product options

MAFI 2867-1; U-bolt kit for attaching Ø 114 equipment tube.

### Parent pole/leg

- Art. no. 3611 & 3612:**  
60 × 60 – 120 × 120 mm
- Art. no. 3614 & 3615:**  
120 × 120 – 200 × 200 mm



**Art. no. 3611 & 3612:**  
Ø 76.1 – 139.7 mm

**Art. no. 3614 & 3615:**  
Ø 139.7 – 244.5 mm



**Art. no. 3611 & 3612:**  
60 × 60 – 120 × 120 mm

**Art. no. 3614 & 3615:**  
120 × 120 – 200 × 200 mm

### Equipment pole



Ø 60 – 76 mm  
(114 mm as option)

### Tightening torque

- Bolt M16: 210 Nm
- Threaded rods M12: 31 Nm
- U-bolts M12: 31 Nm



EN 1090

## Design resistance data

The load limits given in this data sheet apply to the MAFI product only. The designer should always check that the supporting structure can safely carry the loads applied to it by the MAFI product.

### Vertical load

Max Supported Equipment mass (including weight of offset pole) MAFI 3611/12/14/15 = 250 kg

Ultimate Transient Man-Load MAFI 3611/3612 = 2.4 kN

Ultimate Transient Man-Load MAFI 3614/3615 = 2.4 kN

### Horizontal load

Ultimate transient horizontal load per offset arm ( $F_{wind}$ ) = 4000 N

## Rotational slip resistance

When high side forces can be expected, use the tables below to check for rotational slip when mounting on a circular pole. Use ultimate loads and equipment offset to calculate the applied torque.

### Resisting torque per single bracket

Parent Pole $\varnothing$ (mm)	Torque (Nm)
42.3	152
48.3	178
60.3	230
76.1	298
88.9	353
101.6	408
114.3	462
152.4	627
168.9	698

