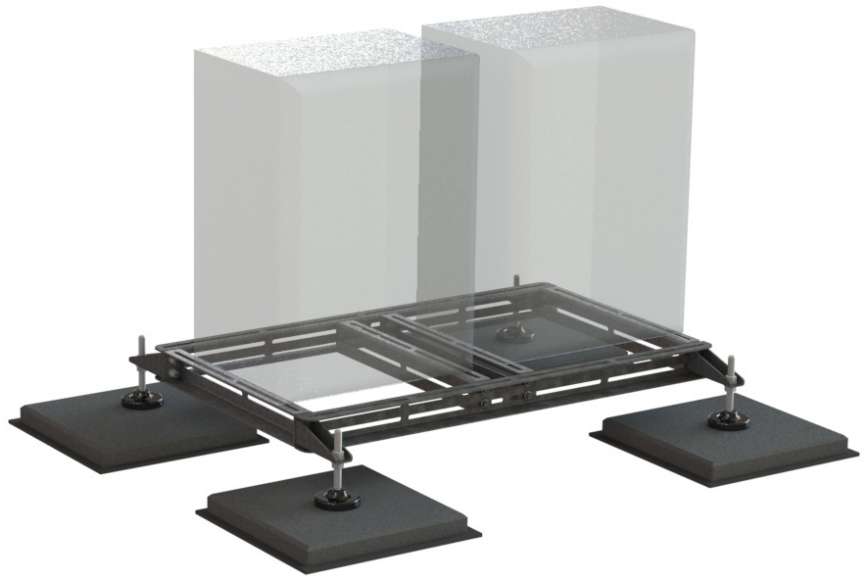


MAFI 8050*

Adjustable Cabinet Platform



MAFI 8051

Lightweight platform designed to provide a level base for small and medium-sized cabinets.

Flexibility

Because of the elongated holes and slidable cross beams you can create the hole pattern you need for any cabinet. The frame can be placed on either the supplied ball-jointed feet, or directly on the roof/ground.

Using the ball-jointed feet allows you to compensate for a maximum roof slope of 6°. Outriggers can also be specified in lengths of 1500 mm or 2000 mm (called MAFI 91100 and MAFI 91101 respectively).

Detailed design data

Detailed design data for this product can be found at www.mafi.se.

How to Order

To order this kit, please contact MAFI quoting article number:

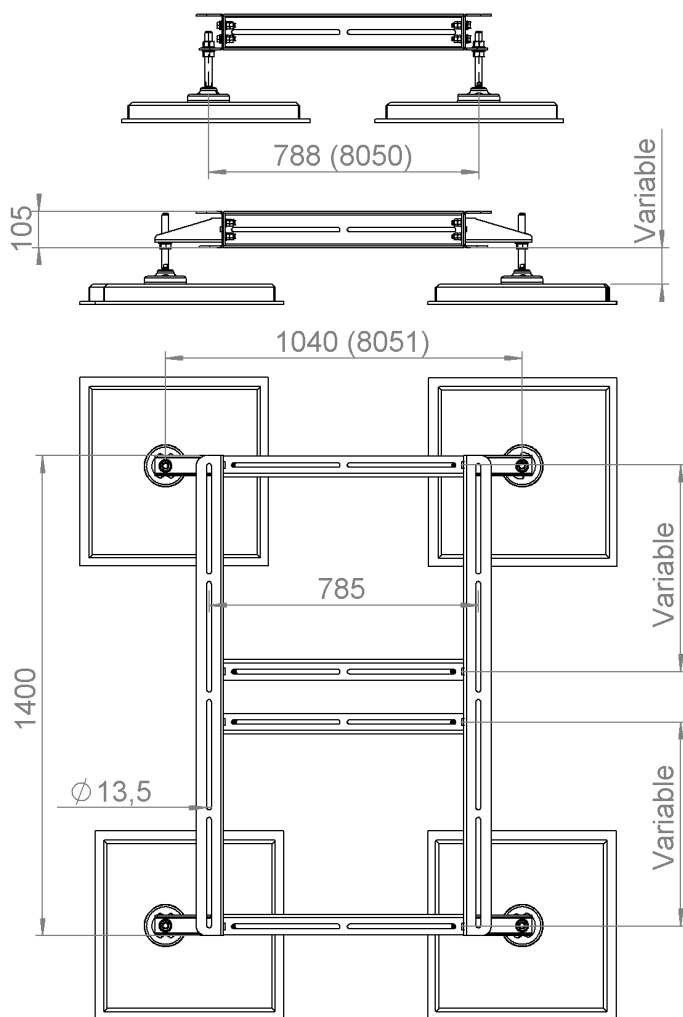
8050

8051 or E-order number (SEG): **6000692**

Contact information can be found at www.mafi.se.



MAFI 8050



Cabinet bolt dimension

Maximum M12

Ground/Roof slope

Maximum: 6°

Equipment weight

Maximum: 600 kg

Tightening torque

Bolt M12: 80 Nm

Part list

Parts	Material	Quantity 8050	Quantity 8051
Steel beams, long	S355MC FZV	2	2
Steel beams, short	S355MC FZV	4	4
Ball-jointed feet	Plastic and A2	4	4
Leg offsets	S355MC FZV	0	4
Protective mats		4	4
Nuts, bolts and washers	8.8 FZV	-	-

Package data

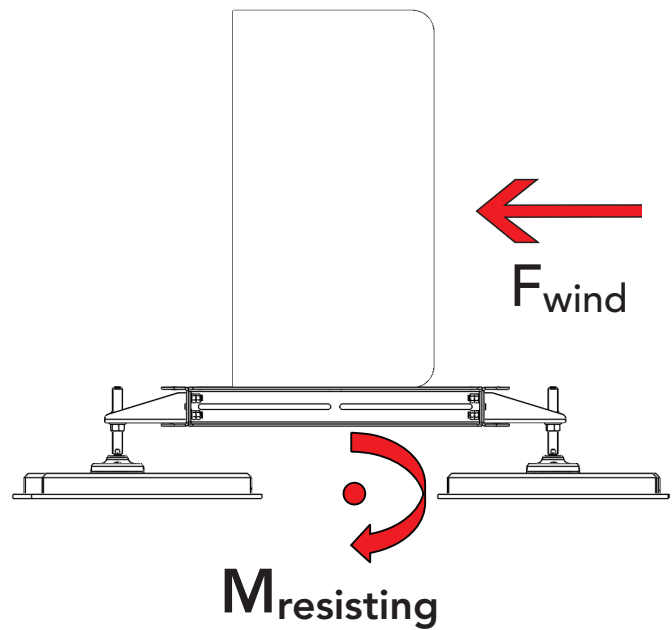
Product	Length (mm)	Width (mm)	Height (mm)	Weight (kg)
8050	1400	800	350	55
8051	1400	800	350	60

Product options

MAFI 91100: Outriggers, 1500 mm.

MAFI 91101: Outriggers, 2000 mm.





Design resistance data

The load limits given in this data sheet apply to the MAFI product only. The designer should always check that the supporting structure can safely carry the loads applied to it by the MAFI product.

Overtipping moment

When designing a platform, you need to ensure that the frame is wide enough to provide stability against overturning.

You need to know the wind forces at the site location and the dimensions and weight of the cabinets.

A stability calculation should be done in every case – if you need help, please contact MAFI.