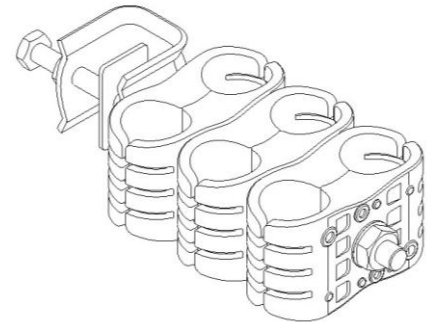
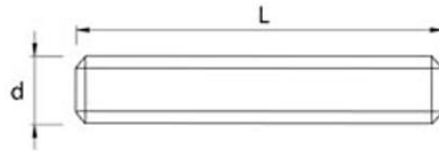


M10 A2 Stainless Steel Bagged Studding Kits



M10 bagged studding kits are available in packs of 10.

Bagged kits come packaged loose in a bag, ready for assembly on site as required, complete with 3 nuts, 3 flat washers and 2 spring washers.

Part Number	Width (mm)	Length (mm)	M10 Nut (Quantity)	M10 Flat (Quantity)	M10 Spring Washer (Quantity)	Weight Per Fixed/Bagged (kg)	Quantity
M10X80BAGGED	10	80	3	3	2	0.80	10
M10X85BAGGED	10	85	3	3	2	0.84	10
M10X100BAGGED	10	100	3	3	2	0.90	10
M10X110BAGGED	10	110	3	3	2	0.94	10
M10X130BAGGED	10	130	3	3	2	1.06	10
M10X150BAGGED	10	150	3	3	2	1.16	10
M10X170BAGGED	10	170	3	3	2	1.26	10
M10X180BAGGED	10	180	3	3	2	1.30	10
M10X200BAGGED	10	200	3	3	2	1.40	10
M10X220BAGGED	10	220	3	3	2	1.50	10
M10X250BAGGED	10	250	3	3	2	1.64	10
M10X280BAGGED	10	280	3	3	2	1.78	10
M10X300BAGGED	10	300	3	3	2	1.90	10

Material: A2 Stainless Steel – BS 304