

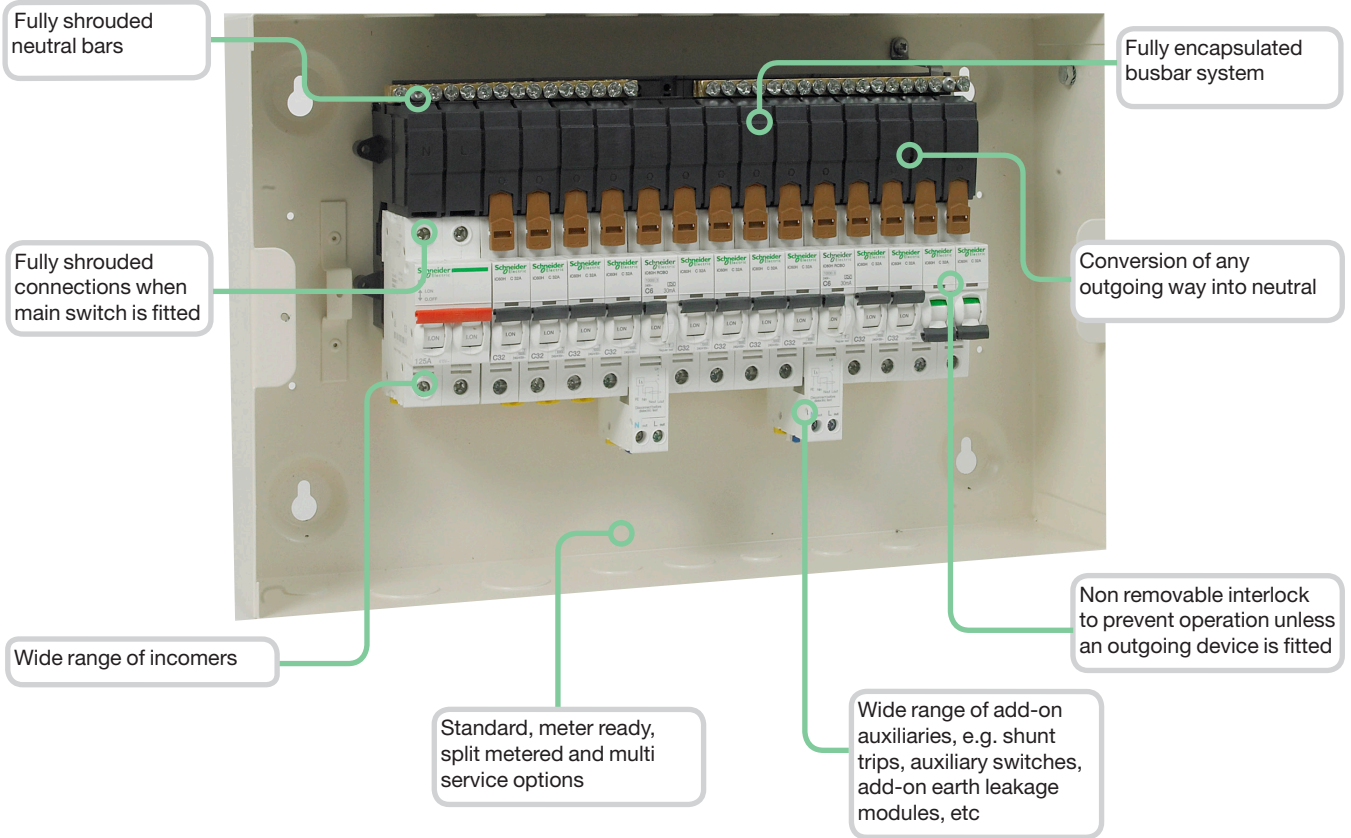


- A type distribution board features page 1/2**
- B type distribution board features page 1/3**
- A type pages 1/4 to 1/7**
 - Distribution boardspage 1/4
 - Multi service distribution boardspage 1/4
 - Split load distribution boardspage 1/4
 - Connectionspage 1/5
 - Split metered distribution boardspage 1/5
 - Incomerspage 1/6
 - Accessoriespage 1/7
- B type pages 1/8 to 1/13**
 - Standard distribution boardspage 1/8
 - Meter ready distribution boardspage 1/8
 - Split metered distribution boardspage 1/8
 - Metering kitspage 1/10
 - Connectionspage 1/10
 - Standard IP55 distribution boardspage 1/11
 - Incomerspage 1/12
 - Top or bottom extension enclosurespage 1/13
 - Side extension enclosurespage 1/13
 - Accessoriespage 1/13
- Replacement items pages 1/14 to 1/15**
 - Pan assemblies, Type A and Type Bpage 1/14
 - Doors and covers, Type A and Type Bpage 1/14
 - Pan assemblies - accessoriespage 1/15

Features

Acti 9 Isobar A type single phase distribution boards

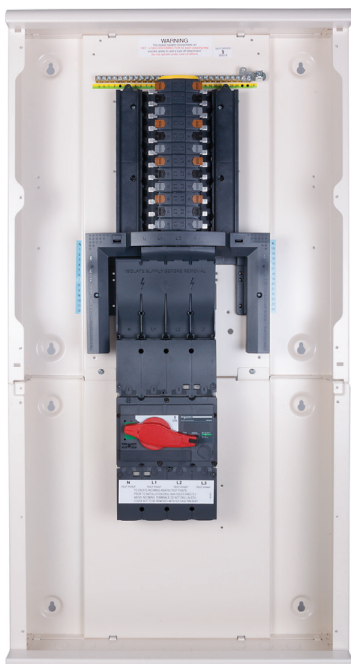
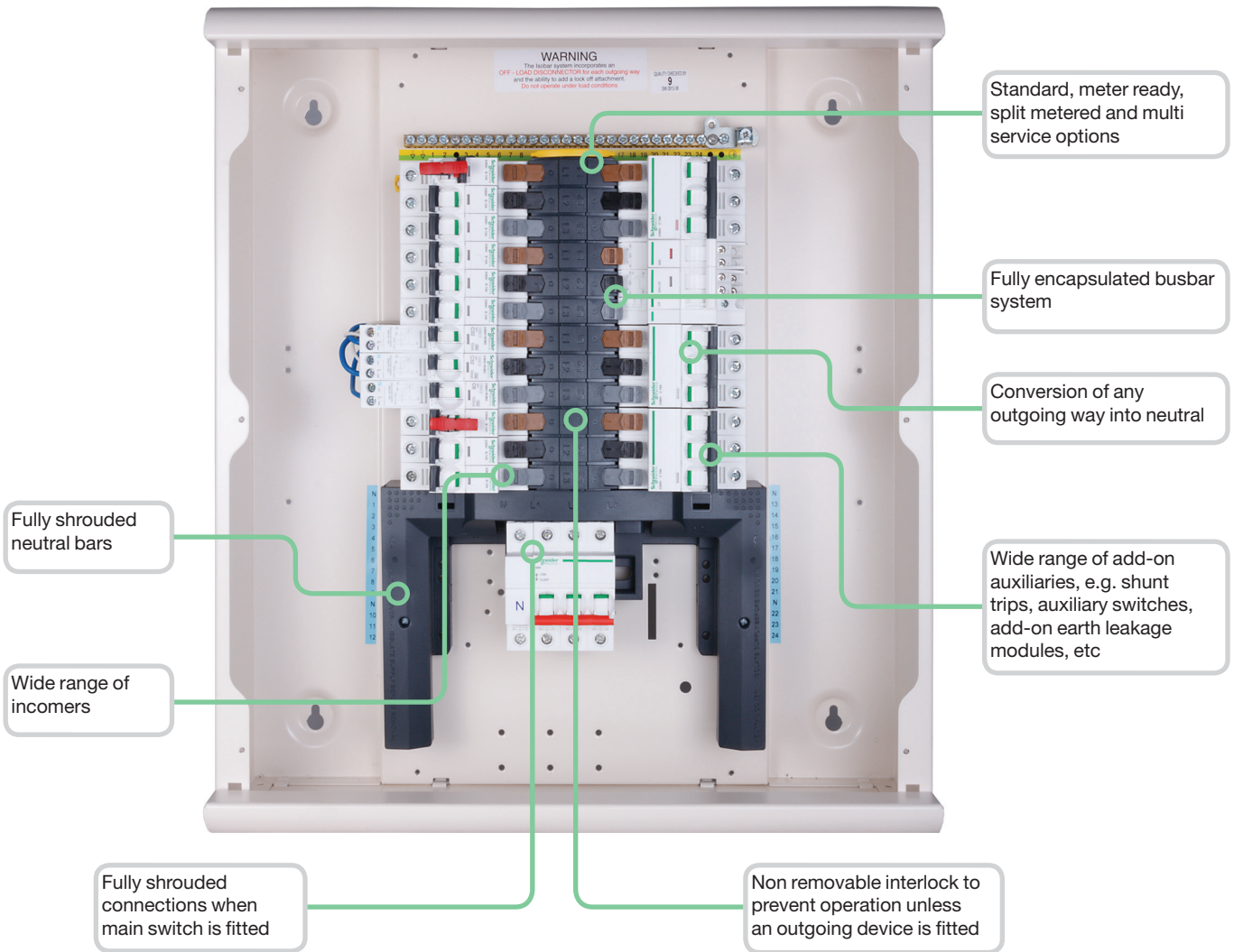
1



- Fully type tested conditional short circuit rating of 16kA to BS EN 61439-3
- High performance MCB 10kA BS EN 60898 15kA BS EN 60947-2 in B, C or D curve single and double pole
- 125A busbar rating
- Isobar disconnection to BS EN 60947-3 ensuring unused outgoing ways are isolated
- Option of switching outgoing neutral on all boards using distributed neutral kit
- Terminal block for feeding up to 100A
- Range of incomers: switch disconnectors, residual current devices, terminal blocks
- Single pole RCBO for new or retrofit maintaining device density
- Full range of device accessories and auxiliaries
- Knockouts for cable gland and conduit mixed to suit the installation needs without loss of space
- Split metering options

Acti 9 Isobar B type 3 phase distribution boards

1



- Fully type tested conditional short circuit rating of 25kA to BS EN 61439-3
- High performance MCB 10kA BS EN 60898 15kA BS EN 60947-2 in B, C or D curve 1, 2, 3, 4 pole
- 250A busbar rating
- Isobar disconnection to BS EN 60947-3 ensuring unused outgoing ways are isolated
- Option of switching outgoing neutral on all boards using distributed neutral kit
- Terminal block for feeding up to 100A
- Range of incomers: switch disconnectors, residual current devices, terminal blocks, mccb
- Single pole RCBO for new or retrofit maintaining device density
- Full range of device accessories and auxiliaries
- Knockouts for cable gland and conduit mixed to suit the installation needs without loss of space
- Removable insulated pan assembly
- Fully shrouded neutral
- Split neutral bars
- Removable gland plates
- Optional metering, dual supply, surge protection and contactor on incoming
- Metered extension enclosures

Acti 9 Isobar A type distribution boards

1

BS EN 61439-3
IEC 61439-3

- Acti 9 Isobar is a complete range of single and 3 phase distribution boards for commercial and industrial applications
- Standard distribution boards up to 24 ways
- Multi service distribution boards up to 24 ways
- Dual incomer distribution boards up to 24 ways
- Split load distribution boards up to 24 ways
- Split metered distribution boards up to 20 ways
- Any outgoing way can be converted to switch the Neutral



Alternating current (AC) 50Hz		
withstand	110v	230/240v
conditional	25kA	25kA
unconditional	25kA/50mS	25kA/50mS
	17kA/200mS	17kA/200mS

Direct current (DC)		
	24v	48v
unconditional	25kA/50mS	25kA/50mS

Catalogue numbers

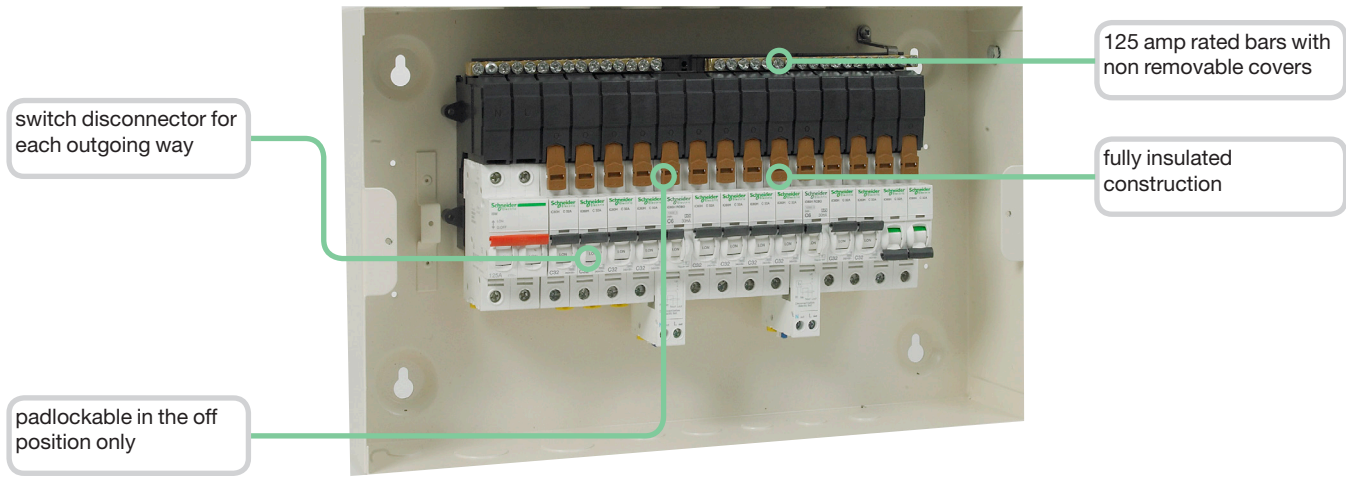
Acti 9 Isobar Standard distribution boards busbar rating 125 amp		
Incomers not included	No of SP ways	No of DP ways*
SEA9AN2	2	1
SEA9AN6	6	3
SEA9AN10	10	5
SEA9AN14	14	7
SEA9AN18	18	9
SEA9AN27	27	12

*When used with distribution neutral



Acti 9 Isobar Multi service distribution boards busbar rating 125 amp		
Incomers not included	No of SP ways	Useable DIN rail 9mm ways
SEA9AN108MS	10	8
SEA9AN1432MS	14	32
SEA9AN616MS	6	16
SEA9AN624MS	6	24
SEA9AN148MS	14	8

Acti 9 Isobar Split load distribution boards busbar rating 125 amp		
Incomers not included	Unprotected way	Protected ways
SEA9AN96SL	9	6
SEA9AN510SL	5	10
SEA9AN56SL	5	6



Technical data Standard, Meter ready, Split metered Acti 9 Isobar

Main characteristics		110v		230/240v	
According to BE EN 61439-3					
Withstand	conditional	25kA			25kA
	unconditional	25kA/50mS			25kA/50mS
		17kA/200mS			17kA/200mS
insulation voltage (Ui)		500V			500V
Pollution degree		3			3
Rated impulse withstand voltage (Uimp)		6kV			6kV
Current rating (A)	direct connection	125A	Terminal block		125A
	Switch disconnecter	125A	Power switch		125A
	RCCB sensitivities (mA)	30, 100, 300, 300TD, 100A			
Degree of protection (IEC 60529)		External IP30 Internal IP20			
Endurance (O-C) Isobar switch disconnecter		3000			
Overvoltage category		IV			
Operating temperature		-35 to +70°C			
Storage temperature		-40 to +80°C			
Connections					
Rating	Tightening torque	Copper lugs	Cables bare	Device	
125 amp		■	50mm	DIN switch disconnecter	
125 amp		■	50mm	Terminal block	
100 amp		■	35mm	RCCB	



Acti 9 Isobar Dual supply distribution boards busbar rating 125 amp		
Incomers not included	Unprotected way	Protected ways
SEA9AN106DS	10	6
SEA9AN26DS	2	6
SEA9AN66DS	6	6

Acti 9 Isobar Split metered distribution boards busbar rating 100 amp direct connected meters			
Incoming switch disconnecter included	Meter type	No of SP ways	No of SP ways
SEA9AN6S6	40A direct connected	6	6
SEA9AN10S10	63A direct connected	10	10
SEA9AN14S14	63A direct connected	14	14
Total load		2 row 50A per row	1 row 40A per split

1

Weight (kG) - Dimensions (mm)								
Standard	Multi service	Split load	Dual Incomer	Split metered	kG	Height	Width	Depth
2 way	■	■	■	■	1.8	300	200	117
6 way	■	■	■	■	2.5	300	273	117
10 way	■	■	2 - 6	■	3.0	300	345	117
14 way	6 - 16, 10 - 8	5 - 6	6 - 6	■	4.8	300	417	117
18 way	6 - 24, 10 - 16, 14 - 8	5 - 10, 9 - 6	10 - 6	6 - 6	5.7	300	489	117
27 way	14 - 32	10 - 10, 14 - 14	■	10 - 10	8.9	530	417	117



Incomers			
Switch disconnecter		Rating (A)	No of poles
SEA9R1252		125	2
Residual current circuit breaker 230/240vAC		Rating (A)	No of poles
Sensitivity (mA)			
SEA9R41263	30	63	2
SEA9R12263	100	63	2
SEA9R44263	300	63	2
SEA9211280	30	80	2
SEA9R12280	100	80	2
SEA9R14280	300	80	2
SEA9R15280	300 TD	80	2
SEA9R11291	30	100	2
SEA9R12291	100	100	2
SEA9R14291	300	100	2
SEA9R15291	300 TD	100	2
Terminal block		Rating (A)	No of poles
SEA9TB1252		125	2

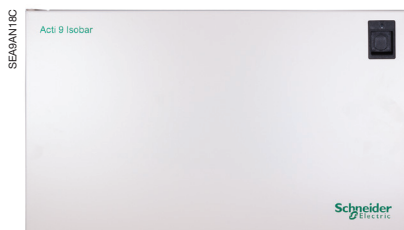
DIN rail only enclosures			
Reference	Description	Number of rows	Dimensions as
SEA9DE16	8 SP way module enclosure	1	SEA9AN6
SEA9DE24	12 SP way module enclosure	1	SEA9AN10
SEA9DE32	16 SP way module enclosure	1	SEA9AN14
SEA9DE40	20 SP way module enclosure	1	SEA9AN18
SEA9DE64	32 SP way module enclosure	2	SEA9AN27



Accessories

Flush mounting kits		
Reference		No of ways
SEA9AN6FK	Flush mounting kit	6
SEA9AN10FK	Flush mounting kit	10
SEA9AN14FK	Flush mounting kit	14
SEA9AN18FK	Flush mounting kit	18
Distributed neutral kits		
Reference		No of ways
SEA9NA6	Distributed neutral for 6 way SP+N	6
SEA9NA10	Distributed neutral for 10 way SP+N	10
SEA9NA14	Distributed neutral for 14 way SP+N	14
SEA9NA18	Distributed neutral for 18 way SP+N	18
SEA9NA27	Distributed neutral for 27 way SP+N	27
SEA9NKIT	Phase to neutral conversion kit (pack 4)	
Reference	Description	
SEA9BL	Door lock	
SEA9PD	Padlock kit for door	
SEA9BP	Blank pole	
SEA9BP25	Pack of 25 x 5 pole filler	
SEA9BP5	single 5 pole filler	
SEA9TB1001	100 amp terminal block 1 pole	
SEA9ANWL	SP&N LABELS	

Acti 9 Isobar A type pan assemblies					
Reference		No of ways	Height	Width	Depth
SEA9AN6PS	Supplied without distributed neutral	6	202	200	87
SEA9AN10PS	Supplied without distributed neutral	10	202	272	87
SEA9AN14PS	Supplied without distributed neutral	14	202	344	87
SEA9AN18PS	Supplied without distributed neutral	18	202	416	87



Doors and covers	
Reference	
SEA9AN6C	6 way door and cover
SEA9AN10C	10 way door and cover
SEA9AN14C	14 way door and cover
SEA9AN18C	18 way door and cover
SEA9AN27C	27 way door and cover

Acti 9 Isobar B type distribution boards

1



BS EN 61439-3 IEC 61439-3

- Acti 9 Isobar is a complete range of single and 3 phase
- distribution boards for commercial and industrial
- applications
- Standard distribution boards up to 24 ways
- Meter ready distribution boards up to 24 ways
- Split metered distribution boards up to 22 ways
- Any outgoing way can be converted to switch the Neutral

Alternating current (AC) 50Hz			
withstand	230/240v	400v	415v
conditional	25kA	25kA	25kA
unconditional	25kA/50mS	25kA/50mS	25kA/50mS
	17kA/200mS	17kA/200mS	17kA/200mS

Direct current (DC)			
	24v	48v	
unconditional	25kA/50mS	25kA/50mS	

Catalogue numbers

Acti 9 Isobar Standard distribution boards busbar rating 250 amp			
	No of TP ways	No of SP ways	No of DP ways*
SEA9BN4	4	12	6
SEA9BN6	6	18	9
SEA9BN8	8	24	12
SEA9BN12	12	36	18
SEA9BN16	16	48	24
SEA9BN18	18	54	26
SEA9BN24	24	72	36

Acti 9 Isobar Meter ready distribution boards busbar rating 250 amp			
	No of TP ways	No of SP ways	No of DP ways
SEA9BN6M	6	18	9
SEA9BN8M	8	24	12
SEA9BN12M	12	36	18
SEA9BN16M	16	48	24
SEA9BN18M	18	54	26
SEA9BN24M	24	72	36

*Metering kits page 1/10

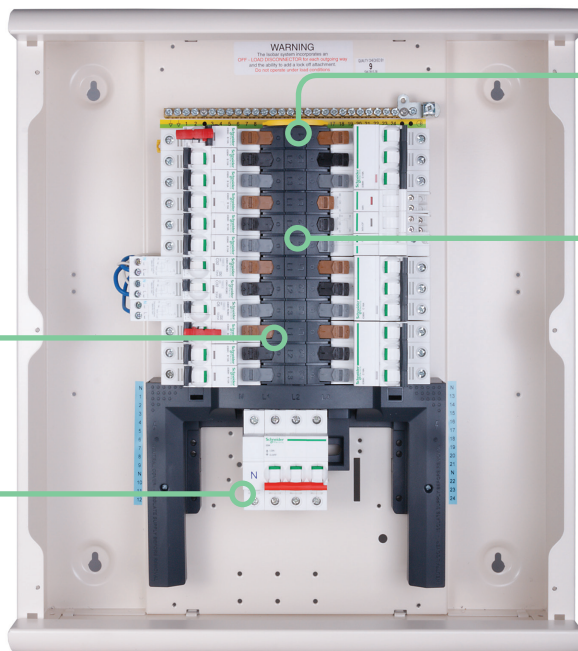
Acti 9 Isobar Split metered* distribution boards busbar rating 125 amp switch disconnecter fitted

	Lower pan assembly No of TP ways	No of SP ways	Upper pan assembly No of TP ways	No of SP ways
SEA9BN1254S8	6	18	8	24
SEA9BN1256S8	8	24	8	24
SEA9BN12512S8	14	42	8	24
SEA9BN12514S6	16	48	6	18
SEA9BN12516S4	18	54	4	12

Acti 9 Isobar Split metered* distribution boards busbar rating 250 amp - incomer supplied separately

	Lower pan assembly No of TP ways	No of SP ways	Upper pan assembly No of TP ways	No of SP ways
SEA9BN25012S8	14	42	8	24
SEA9BN25014S6	16	48	6	18
SEA9BN25016S4	18	54	4	12

*MID 3 Phase kWh kit Modbus communications and pulsed output

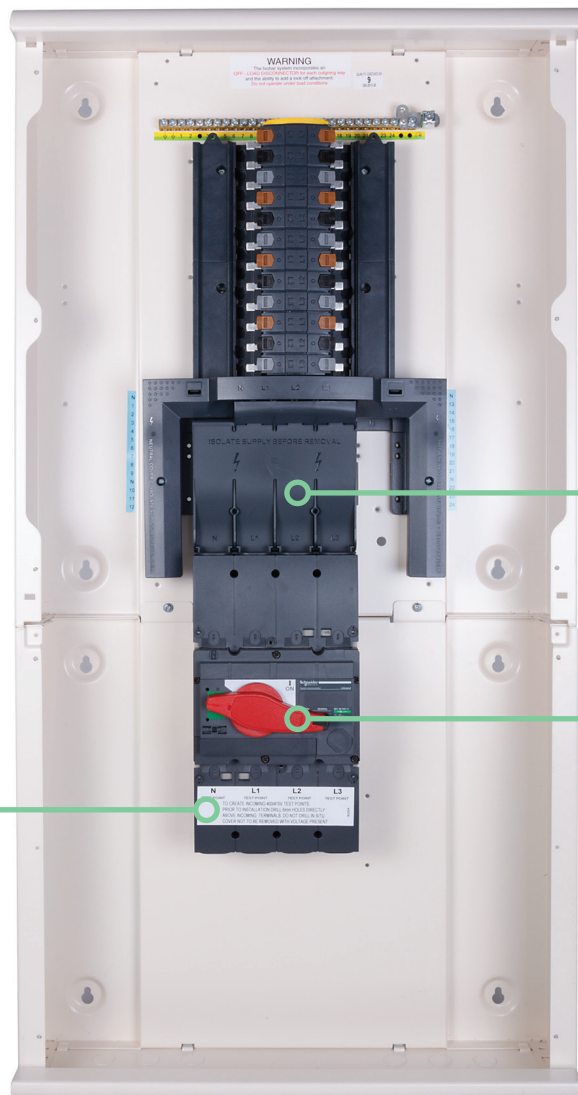


250 amp rated bars with non removable covers

fully insulated construction

interlocked switch disconnecter for each outgoing way

padlockable in the off position only



fully shrouded connections

padlockable handle

voltage test points

1

Metering kits				
Acti 9 Standard distribution boards			Rating (A)	Connection
SEA9BNKWH	MID 3 Phase kWh kit Modbus communications and pulsed output	Height 270 (mm)	250	via CT
SEA9BNKWHP	MID 3 Phase kWh kit pulsed output	Height 270 (mm)	250	via CT
SEA9BNMETE	Metering enclosure for standard Acti 9 Isobar boards for PM meters	height 270 (mm)	250	via CT
Acti 9 Meter ready distribution boards			Rating (A)	Connection
SEA9BN3155	MID 3 Phase kWh kit Modbus communications	Integral	63	direct
SEA9BN3110	MID 3 Phase kWh kit pulsed output	Integral	63	direct
SEA9BN3255	MID 3 Phase kWh kit Modbus communications	Height 135 (mm)	125	via CT
SEA9BN3210	MID 3 Phase kWh kit pulsed output	Height 135 (mm)	125	via CT

Incomers for 250 amp split metered boards			
Supplied with connections and less enclosure		Rating (A)	No. of poles
SEA9NCB1604SM	160A 4P MCCB for A9 split meter board	160	4
SEA9NCB2004SM	200A 4P MCCB for A9 split meter board	200	4
SEA9NCB2504SM	250A 4P MCCB for A9 split meter board	250	4
SEA9NI1604SM	160A 4P Switch for A9 split meter board	160	4
SEA9NI2004SM	200A 4P Switch for A9 split meter board	200	4
SEA9NI2504SM	250A 4P Switch for A9 split meter board	250	4

Connections

Rating	Copper lugs	Bare cables	Device
125 amp		50mm	DIN switch disconnecter/Terminal block
		95mm with spreader connection	Interpact DIN Switch Disconnecter
160 -250 amp	95mm	185mm with cable clamps	Interpact Switch Disconnecter
	95mm	185mm with cable clamps	NSX Moulded case circuit breaker
	120 mm		Terminal block

Technical data Standard, Meter ready, Split metered Acti 9 Isobar

Main characteristics		230/240v	400v	415v
Withstand	conditional	25kA	25kA	25kA
	unconditional	25kA/50mS	25kA/50mS	25kA/50mS
		17kA/200mS	17kA/200mS	17kA/200mS
Insulation voltage (Ui)		500vAC	500vAC	500vAC
Pollution degree		3	3	3
Rated impulse withstand voltage (Uimp)		6kV	6kV	6kV
Current rating (A)	direct connection	125/250	6kV	6kV
	Switch disconnecter	125	DIN mounted Power switch	
		160-200-250	Interpact	
MCCB	100-160-200-225-250			
Degree of protection (IEC 60529)		External IP30 or IP55		
		Internal IP20		
Endurance (O-C) Isobar switch disconnecter		3000		
Overvoltage category		IV		
Operating temperature		-35 to +70°C		
Storage teperature		-40 to +80°C		

SEA9BN6HDGK



Main characteristics Acti 9 Isobar IP55

According to BE EN 61439-3		230/240v	400v	415v
Withstand	conditional	25kA	25kA	25kA
	unconditional	25kA/50mS	25kA/50mS	25kA/50mS
		17kA/200mS	17kA/200mS	17kA/200mS
Insulation voltage (Ui)		500vAC		
Pollution degree		3		
Rated impulse withstand voltage (Uimp)		6kV		
Current rating (A)		125A		
Degree of protection (IEC 60529)		External IP55 Internal IP20		
Endurance (O-C) Isobar switch disconnecter		3000		
Overvoltage category		IV		
Operating temperature		-35 to +70°C		
Storage teperature		-40 to +80°C		



Catalogue numbers

Acti 9 Isobar Standard IP55 distribution boards busbar rating 125 amp steel door

	No of TP ways	No of SP ways	No of DP ways
SEA9BN6HDGR	6	18	9
SEA9BN8HDGR	8	24	12
SEA9BN12HDGR	12	36	18
SEA9BN16HDGR	16	48	24

Acti 9 Isobar Standard IP55 distribution boards busbar rating 125 amp transparent door

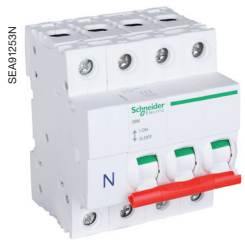
	No of TP ways	No of SP ways	No of DP ways
SEA9BN6HDGK	6	18	9
SEA9BN8HDGK	8	24	12
SEA9BN12HDGK	12	36	18
SEA9BN16HDGK	16	48	24

Acti 9 Isobar and Acti 9 Isobar IP55

Weight (kG) - Dimensions (mm)

Standard	Meter ready	Split meter	kG	Height	Width	Depth
4 way	■	■	9	484	470	139
6 way	6 way	■	10.5	484	470	138
8 way	6 way	■	11	538	470	138
12 way	12 way	■	13.5	700	470	139
16 way	16 way	■	16	808	470	139
18 way	18 way	■	16.2	862	470	139
24 way	24 way	■	22	1024		139
■	■	125	28	1294	470	139
■	■	250	32	1694	470	139
250 amp incoming section		■	4	400	470	130
IP55			kG	Height	Width	Depth
6 way		■	32.4	650	600	330
8 way		■	32.9	650	600	330
12 way		■	40.1	800	600	330
16 way		■	41.4	800	600	330

1



Incomers							
Switch disconnecter	Rating (A)	No of poles	Standard	Meter ready	Split Metered	IP55	
SEA91253N	125	3P+N	Int	Int	Int	Int	
SEA91254	125	4	Int	Int	Int	Int	
SEA9NI1603	160	3P+N	Ext	Ext	Ext	Ext	■
SEA9NI1604	160	4	Ext	Ext	Ext	Ext	■
SEA9NI2003	200	3P+N	Ext	Ext	Ext	Ext	■
SEA9NI2004	200	4	Ext	Ext	Ext	Ext	■
SEA9NI2254	225	4	Ext	Ext	Ext	Ext	■
SEA9NI2503	250	3P+N	Ext	Ext	Ext	Ext	■
SEA9NI2504	250	4	Ext	Ext	Ext	Ext	n ■
Moulded Case Circuit Breaker	Rating (A)	No of poles	Standard	Meter ready	Split metered	IP55	
SEA9NCB1004	70-100	4	Ext	Ext	Ext	Ext	■
SEA9NCB1604	112-160	4	Ext	Ext	Ext	Ext	■
SEA9NCB2004	140-200	4	Ext	Ext	Ext	Ext	■
SEA9NCB2504	175-250	4	Ext	Ext	Ext	Ext	■
Residual current circuit breaker sensitivity (mA)	Rating (A)	No of poles	Standard	Meter ready	Split metered	IP55	
SEA9R41463	30	63	4	Int	Int	Int	Int
SEA9R12463	100	63	4	Int	Int	Int	Int
SEA9R44463	300	63	4	Int	Int	Int	Int
SEA9R15463	300/time delayed	63	4	Int	Int	Int	Int
SEA9R11480	30	80	4	Int	Int	Int	Int
SEA9R14491	300	100	4	Int	Int	Int	Int
SEA9R15491	300/time delayed	100	4	Int	Int	Int	Int
SEA9NI160RCCB	adjustable	160	■	Ext	Ext	Ext	■
Terminals for direct connection	Rating (A)	No of poles	Standard	Meter ready	Split metered	IP55	
SEA9TB1254	125	4	Int	Int	Int	Int	
SEA9NTB2504	250	4	Ext	Ext	Ext	Ext	■
Dual source incomer	Rating (A)	No of poles	Standard	Meter ready	Split metered	IP55	
SEA9NDSI	*270mm enclosure	125	4	Ext	Ext	Ext	■
Contactor incomer	Rating (A)	No of poles	Standard	Meter ready	Split metered	IP55	
SEA9BN100CCI	*270mm enclosure	100	4	Ext	Ext	Ext	■
Dual metered extension enclosure MID 3 Phase kWh kit Modbus communications and pulsed output	Rating (A)	No of poles	Standard	Meter ready	Split metered	IP55	
SEA9BNDM160SD	Interpact SD	160	4	Ext	■	■	■
SEA9BNDM200SD	Interpact SD	200	4	Ext	■	■	■
SEA9BNDM250SD	Interpact SD	250	4	Ext	■	■	■
SEA9BNDM160M	NSX MCCB	160	4	Ext	■	■	■
SEA9BNDM200M	NSX MCCB	200	4	Ext	■	■	■
SEA9BNDM250M	NSX MCCB	250	4	Ext	■	■	■
Single phasing kits	Rating (A)	No of poles	Standard	Meter ready	Split metered	IP55	
SEA9125SPEV	125	4	Int	Int	Int	Int	
SEA9250SPEV	250	4	Int	Int	Int	Int	■

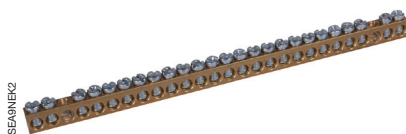
Int= Internal to the distribution board
Ext = in 400mm high extension enclosures
■ = not applicable



Top or bottom extension enclosures height 270 (mm)		■ not applicable		
Switch disconnecter	Description			
SEA9BNEXN	Plain front cover for additional wiring space			
SEA9BNEX034N	Mounting of DIN devices, overall door and cutout for 17 x 18mm poles			
SEA9BNEXA14N	Single phase add on distribution board 14 way			



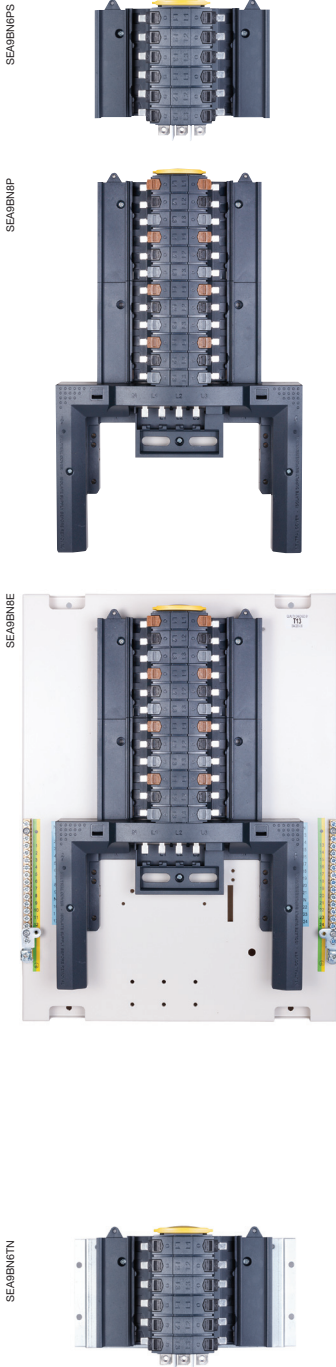
Side extension enclosures				
Reference	Description	No of rows	Total 18mm SP ways	Dimensions as
SEA9BN4SXS	Slotted front cover + overall door	2	34	SEA9BN4
SEA9BN8SXS	Slotted front cover + overall door	2	34	SEA9BN8
SEA9BN12SXS	Slotted front cover + overall door	3	51	SEA9NB12
SEA9BN16SXS	Slotted front cover + overall door	4	68	SEA9NB16
SEA9BN24SXS	Slotted front cover + overall door	5	85	SEA9NB24
SEA9BN4SXP	Plain front cover+ overall door	2	34	SEA9BN4
SEA9BN8SXP	Plain front cover+ overall door	2	34	SEA9BN8
SEA9BN12SXP	Plain front cover+ overall door	3	51	SEA9NB12
SEA9BN16SXP	Plain front cover+ overall door	4	68	SEA9NB16
SEA9BN24SXP	Plain front cover+ overall door	5	85	SEA9NB24



Accessories	
Reference	Description
SEA9BL	Door lock
SEA9PD	Padlock kit for door
SEA9NEK1	Extra earth terminal bar 14 hole
SEA9NEK2	Extra earth terminal bar 20 hole
SEA9NEK3	Extra earth terminal 26 hole
SEA9BN63SPL	Split load kit 63 amp
SEA9BNSJKN	Side joining kit
SEA9BNTJKA	Top/bottom joining kit for enc/ext/enc
SEA9BNTJKB	Top bottom kit replacing gland plate
SEA9BNTJKN	Joining kit B board top/bottom
SEA9BP	Blank pole
SEA9BP25	Pack of 25 x 5 pole filler
SEA9BP5	Single 5 pole filler
SEA9TB1001	100 amp terminal block 1 pole
SEA9BNBCE7	Clean earth B boards 7 hole
SEA9BNBCE13	Clean earth B boards 13 hole
SEA9BNBCE25	Clean earth B boards 25 hole
SEA9BNWL	TP&N Labels
SEA9NB4	Distributed neutral for 4 way TP+N
SEA9NB6	Distributed neutral for 6 way TP+N
SEA9NB8	Distributed neutral for 8 way TP+N
SEA9NB12	Distributed neutral for 12 way TP+N
SEA9NB16	Distributed neutral for 16 way TP+N
SEA9NB18	Distributed neutral for 18 way TP+N
SEA9NB24	Distributed neutral for 24 way TP+N
SEA9NKIT	Phase to neutral conversion kit (pack 4)



1



Pan assemblies - 3 phase without distributed neutral, supplied without mounting plate

Reference	Description
SEA9BN4PS	Pan assembly 4 way TP&N
SEA9BN6PS	Pan assembly 6 way TP&N
SEA9BN8PS	Pan assembly 8 way TP&N
SEA9BN12PS	Pan assembly 12 way TP&N
SEA9BN16PS	Pan assembly 16 way TP&N
SEA9BN18PS	Pan assembly 18 way TP&N
SEA9BN24PS	Pan assembly 24 way TP&N

Pan assemblies - replacement for Acti 9 Isobar and Isobar 4c distribution boards

Reference	Description
SEA9BN4P	B board replacement pan assembly
SEA9BN6P	B board replacement pan assembly
SEA9BN8P	B board replacement pan assembly
SEA9BN12P	B board replacement pan assembly
SEA9BN16P	B board replacement pan assembly
SEA9BN18P	B board replacement pan assembly
SEA9BN24P	B board replacement pan assembly

Pan assemblies - for switchboard mounting supplied with earths and neutral, phase coloured Isobar switch disconnectors

Reference	Description
SEA9BN4E	Pan assembly 4 way TP+ earth and neutral
SEA9BN6E	Pan assembly 6 way TP+ earth and neutral
SEA9BN8E	Pan assembly 8 way TP+ earth and neutral
SEA9BN12E	Pan assembly 12 way TP+ earth and neutral
SEA9BN16E	Pan assembly 16 way TP+ earth and neutral
SEA9BN18E	Pan assembly 18 way TP+ earth and neutral
SEA9BN24E	Pan assembly 24 way TP+ earth and neutral

Pan assemblies - for switchboard mounting supplied with earths and neutral, black Isobar switch disconnectors

Reference	Description
SEA9BN4PEV	Pan assembly 4 way TP+ earth and neutral
SEA9BN6PEV	Pan assembly 6 way TP+ earth and neutral
SEA9BN8PEV	Pan assembly 8 way TP+ earth and neutral
SEA9BN12PEV	Pan assembly 12 way TP+ earth and neutral
SEA9BN16PEV	Pan assembly 16 way TP+ earth and neutral
SEA9BN18PEV	Pan assembly 18 way TP+ earth and neutral
SEA9BN24PEV	Pan assembly 24 way TP+ earth and neutral

Pan assemblies - 3 phase without distributed neutral, supplied fitted on a mounting plate

Reference	Description
SEA9BN4TN	4 TP&N way panel fixing pan assembly
SEA9BN6TN	6 TP&N way panel fixing pan assembly
SEA9BN8TN	8 TP&N way panel fixing pan assembly
SEA9BN12TN	12 TP&N way panel fixing pan assembly
SEA9BN16TN	16 TP&N way panel fixing pan assembly
SEA9BN18TN	18 TP&N way panel fixing pan assembly
SEA9BN24TN	24 TP&N way panel fixing pan assembly

Door and cover assemblies

Reference	Description
SEA9BN4C	4 way door and cover
SEA9BN6C	6 way door and cover
SEA9BN8C	8 way door and cover
SEA9BN12C	12 way door and cover
SEA9BN16C	16 way door and cover
SEA9BN18C	18 way door and cover
SEA9BN24C	24 way door and cover

SEA9BINCKIT



Pan assemblies - accessories	
Reference	Description
SEA9NPB250TB	250 amp incoming terminal block
SEA9BINCKIT	MCCB/Interpact connection kit

1

Dimensions (mm)

