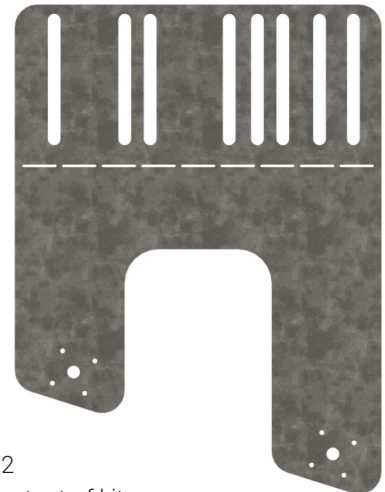


MAFI 5110

RRU

Support



× 2
Content of kit

Designed for attaching RRU's to existing cable trays.

Flexibility

The support is delivered as a flat pack and can easily be mounted on cable trays of width 200 – 500 mm. Self-tapping screws are included.

Quality

The support is manufactured from high quality steel with hot dipped galvanization.

Detailed design data

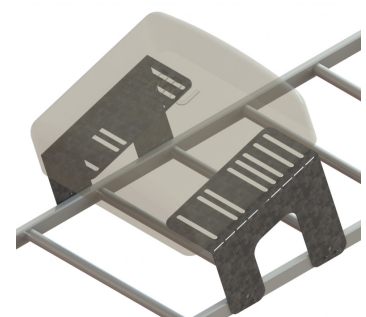
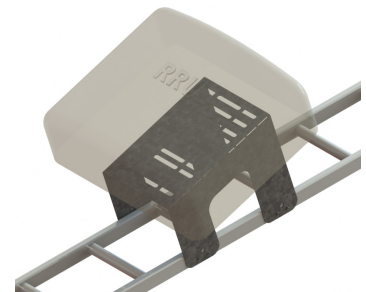
Detailed design data for this product can be found at www.mafi.se.

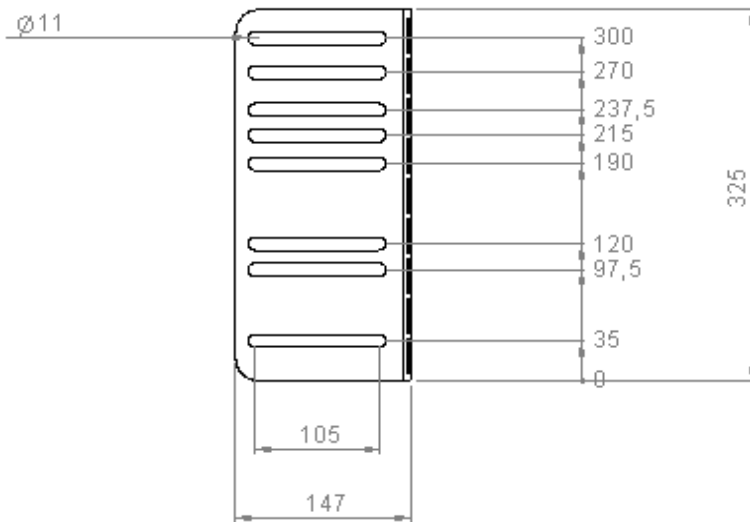
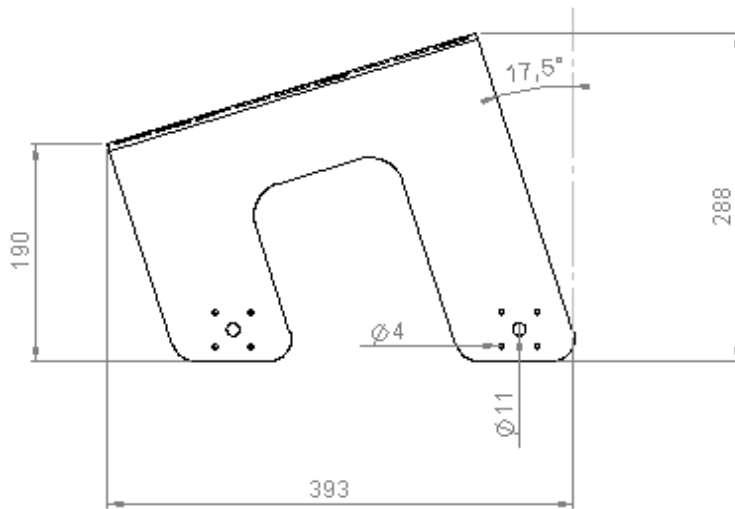
How to Order

To order this kit, please contact MAFI quoting article number:

5110 or E-order number (SEG): **6000687**

Contact information can be found at www.mafi.se.





Parent structure



Width of cable tray:
200 – 500 mm

Part list

Parts	Material	Quantity
Support brackets	DX51D Z350	2
Self-tapping screws	8.8 Fe/ZnNi8P4	8
Bolts M10	A4	4
Washers	FZV	4

Package data

Product	Length (mm)	Width (mm)	Height (mm)	Weight (kg)
5110	540	345	20	3.3

Product options

MAFI 91103 ; Adaptor plate for Nokia RRH.

