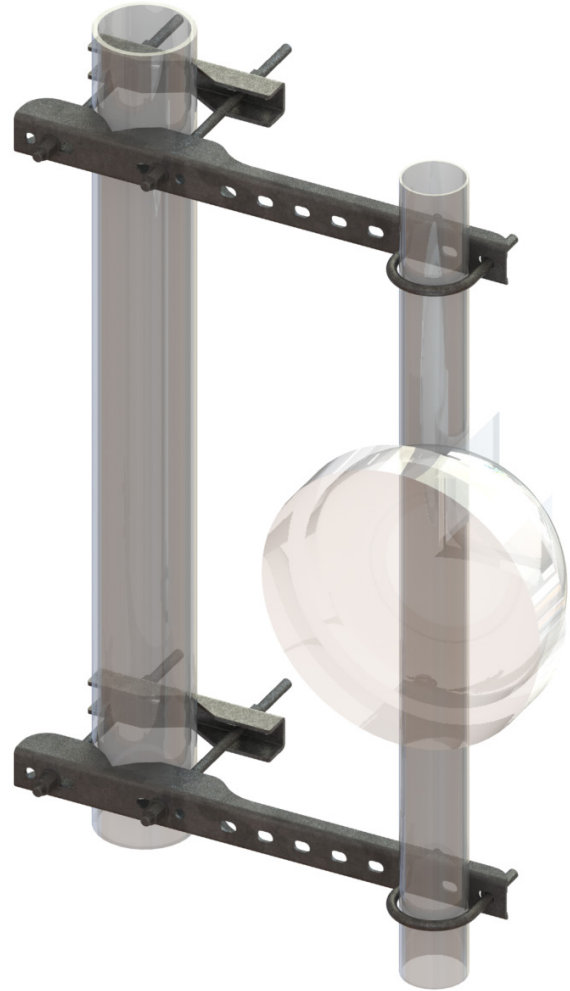


# MAFI 3263\*

## One-Direction Offset Family



MAFI 3263

Designed to allow an equipment pole to be offset from a parent pole or tower leg.

### Flexibility

The 3263, 3265 and 3273 brackets can be mounted on any vertical round member from  $\varnothing$  25 – 169 mm and also on vertical angel sections. The offset pole can be  $\varnothing$  60.3 mm or  $\varnothing$  76.1 mm with the standard  $\varnothing$  76 mm U bolts supplied, or optionally up to  $\varnothing$  114.3 mm.

The 3273 provide a maximum c/c offset of 230 mm and the 3263 and 3265 provide a maximum c/c offset of 420 mm respectively 400 mm. The 3272 fits round members from  $\varnothing$  48 – 193 mm and provides a maximum offset of 800 mm. The 3272 incorporates a double clamp to cope with the high torque loads impose by antennas at a large offset.

### Detailed design data

Detailed design data for this product can be found at [www.mafi.se](http://www.mafi.se).

### How to Order

To order this kit, please contact MAFI quoting article number:

**3263** or E-order number (SEG): **6000667**

**3265** or E-order number (SEG): **6000668**

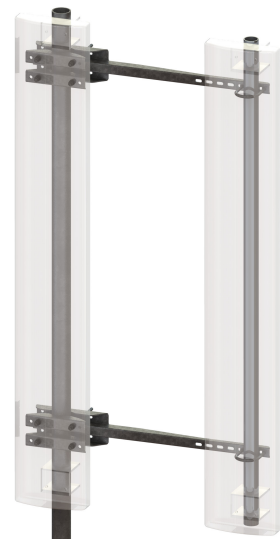
**3272** or E-order number (SEG): **6000665**

**3273** or E-order number (SEG): **6000666**

Contact information can be found at [www.mafi.se](http://www.mafi.se).



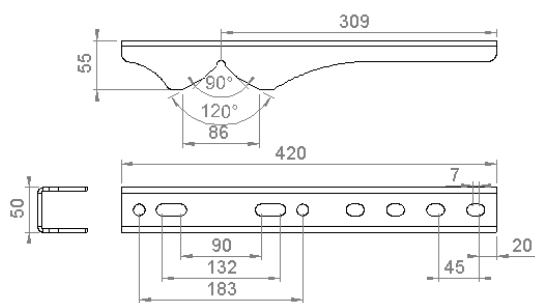
MAFI 3273



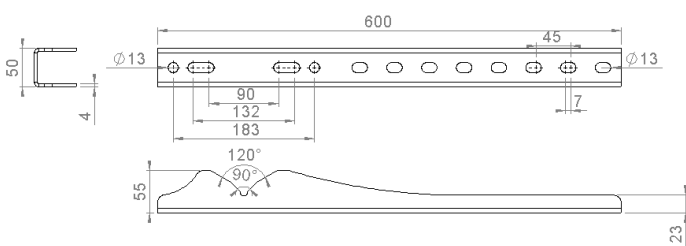
MAFI 3272



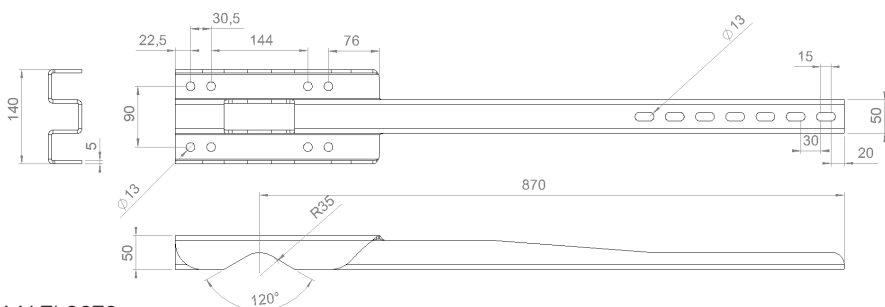
Content of kit



MAFI 3273



MAFI 3263/3265



MAFI 3272

### Parent pole/leg



40 × 40 mm  
up to 120 × 120 mm



**Art. no 3263, 3265 & 3273:**  
Ø 25 – 169 mm

**Art. no 3272:**  
Ø 48 – 193 mm



40 × 40 mm up to  
120 × 120 mm

### Equipment pole



**Art. no 3263 & 3273:**  
Ø 60 – 76 mm

**Art. no 3265:**  
Ø 89 – 114 mm

### Tightening torque

Threaded rods M12: 31 Nm  
U-bolts M12: 31 Nm

### Part list

Parts	Material	Quantity
Clamps	S355MC FZV	2.4 (3272)
Brackets	S355MC FZV	2
U-bolts M12	A4 or 8.8 FZV	2
Threaded rods M12	8.8 FZV	4.8 (3272)
Nuts and washers M12	8.8 FZV	-

### Package data

Product	Length (mm)	Width (mm)	Height (mm)	Weight (kg)
3263/3265	780	240	60	7.5
3272	1000	350	60	24
3273	380	230	60	6.7

### Product options

MAFI 3265, 400 mm tube offset kit that fits Ø 89 - Ø 114 mm



EN 1090

## Design resistance data

The load limits given in this data sheet apply to the MAFI product only. The designer should always check that the supporting structure can safely carry the loads applied to it by the MAFI product.

### Vertical load

Max Supported Equipment mass MAFI  
3263/3265/3273 = 120 kg

Max Supported Equipment mass MAFI 3272 = 60 kg

Ultimate Transient Man-Load MAFI  
3263/3265/3272/3273 = 2.4 kN

## Rotational slip resistance

When high side forces can be expected, use the tables below to check for rotational slip when mounting on a circular pole. Use ultimate loads and equipment offset to calculate the applied torque.

### Resisting torque per single bracket

Parent Pole $\varnothing$ (mm)	Torque (Nm)	Torque (Nm)
	MAFI 3263/65, 3273	MAFI 3272
42.3	152	-
48.3	178	356
60.3	230	460
76.1	298	596
88.9	353	706
101.6	408	816
114.3	462	924
152.4	627	1254
168.9	698	1396

Product nr.	Max offset (mm)
3273	230
3263	420
3265	400
3272	800

