

MAFI 4112

Free Stander Light



Designed as a free standing equipment pole for low wind-load generating equipment such as RRUs placed in areas of low risk. The 4112 is assembled on site allowing it to be carried by one man alone in components weighing less than 25 kg.

Flexibility

The pole on the free stander light is tiltable up to 6°, so that the pole will always be vertical.

Detailed design data

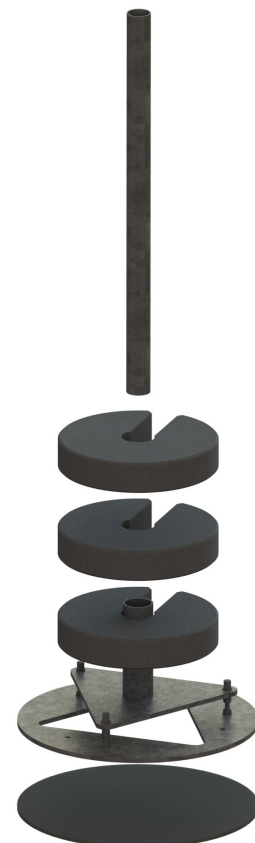
Detailed design data for this product can be found at www.mafi.se.

How to Order

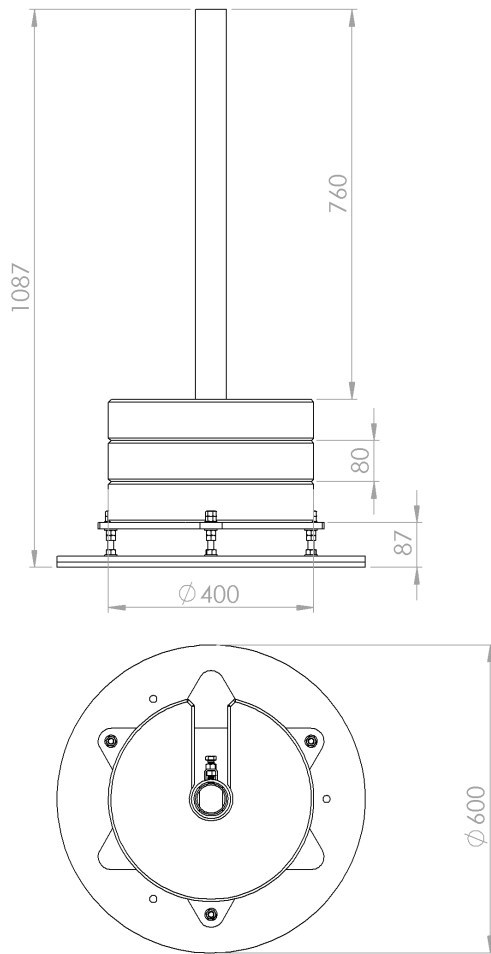
To order this kit, please contact MAFI quoting article number:

4112 or E-order number (SEG): **6062548**

Contact information can be found at www.mafi.se.



Content of kit



Equipment pole



Tightening torque

Threaded rods: 35 Nm

Grub screws: 10 Nm

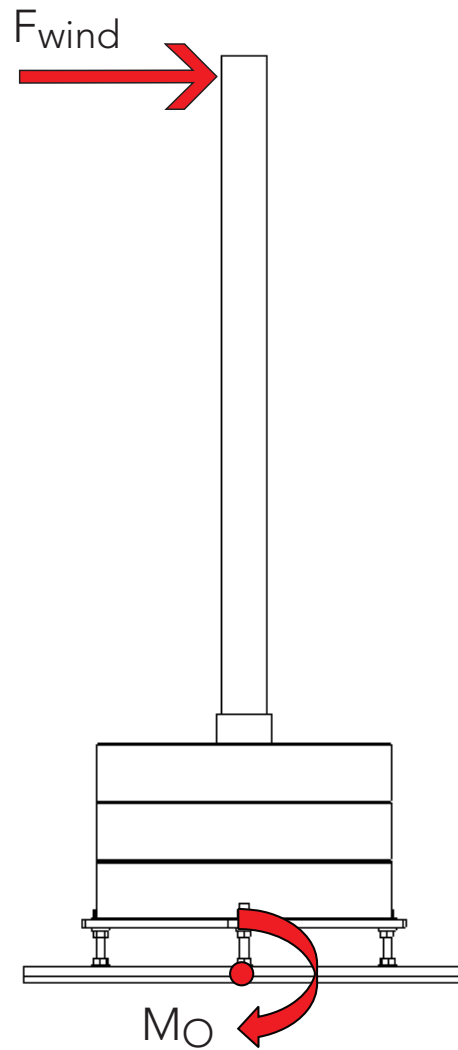
Part list

Parts	Material	Quantity
Steel plates	S355MC FZV	-
Nuts	8.8 FZV	19
Threaded rods	8.8 FZV	3
Ballast weight	Concrete	3 × 20 kg
Screws M12	8.8 FZV	2
Protective mat		1
Tube	P235TR1 FZV	1

Package data

Product	Length (mm)	Width (mm)	Height (mm)	Weight (kg)
4112	1200	800	340	122





Design resistance data

The load limits given in this data sheet apply to the MAFI product only. The designer should always check that the supporting structure can safely carry the loads applied to it by the MAFI product.

Overturning moment

For this free standing structure the critical dimensioning parameter is the ability to resist overturning moment. The figures in the table need to be higher than the moment applied by the ultimate wind loads acting on the pole and the supported equipment. A stability calculation should be done in every case - if you need help, please contact MAFI.

Overturning moment table

Configuration	Overturning moment M_o (Nm)
3 concrete blocks of each 20 kg	265