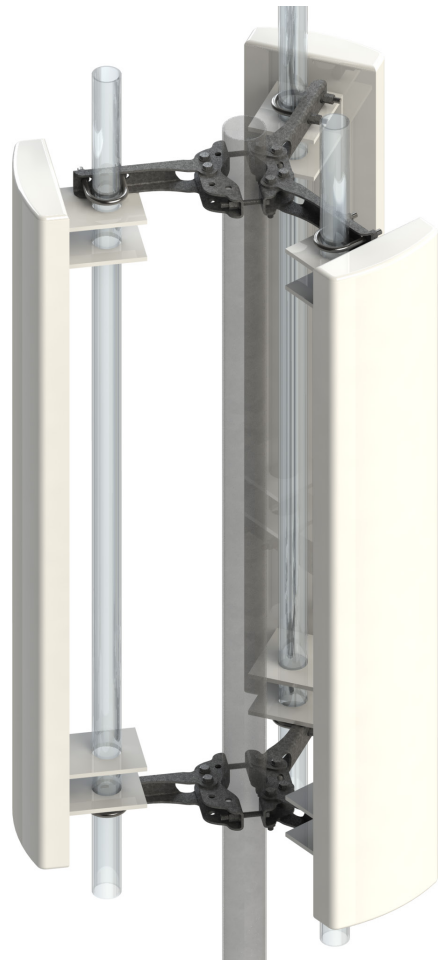


MAFI 4418*

3-Sector Antenna Mount



Designed to accommodate three large panel antennas attached to a single spine pole.

Flexibility

The mounts will fit spine poles ranging from \varnothing 76 – 114.3 mm. MAFI 4415 provides an offset of 126 mm from the equipment pole center to the face of the spine pole.

MAFI 4418 provides an offset of 226 mm from the equipment pole center to the face of the spine pole. The equipment poles can be \varnothing 60.3 or 76.1 mm.

Detailed design data

Detailed design data for this product can be found at www.mafi.se.

How to order

To order this kit, please contact MAFI quoting article number:

4418 or E-order number (SEG): 6000682

4415 or E-order number (SEG): 6000881

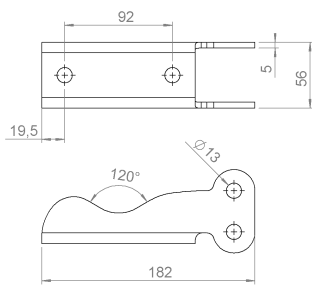
Contact information can be found at www.mafi.se.



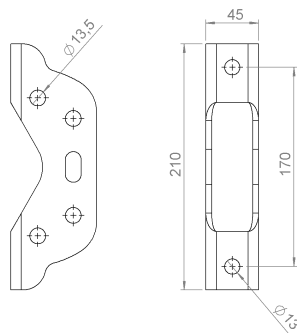
MAFI 4415
Content of kit



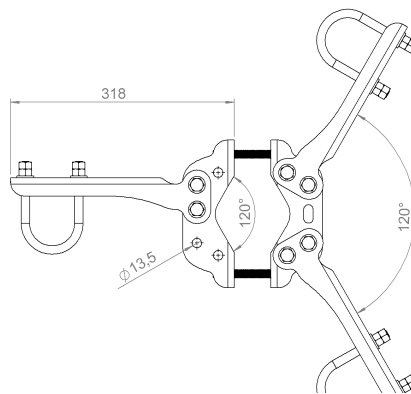
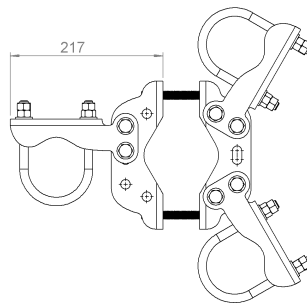
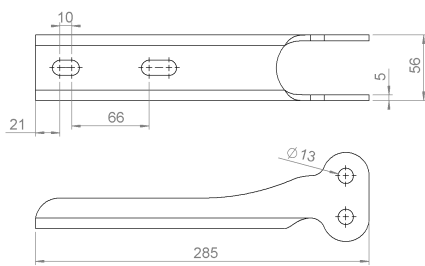
MAFI 4418
Content of kit



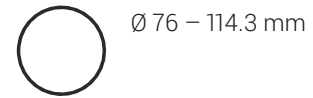
MAFI 4415



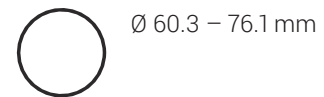
MAFI 4418



Parent pole/leg



Equipment pole



Tightening torque

Bolts M12: 31 – 80 Nm

U-bolts M12: 31 Nm

Part list

Parts	Material	Quantity
Clamps	S355MC FZV	4
Brackets	S355MC FZV	6
U-bolts M12	A4 or 8.8 FZV	6
Spacer bushings	S355MC FZV	6
Bolts, nuts and washers M12	8.8 FZV	-

Package data

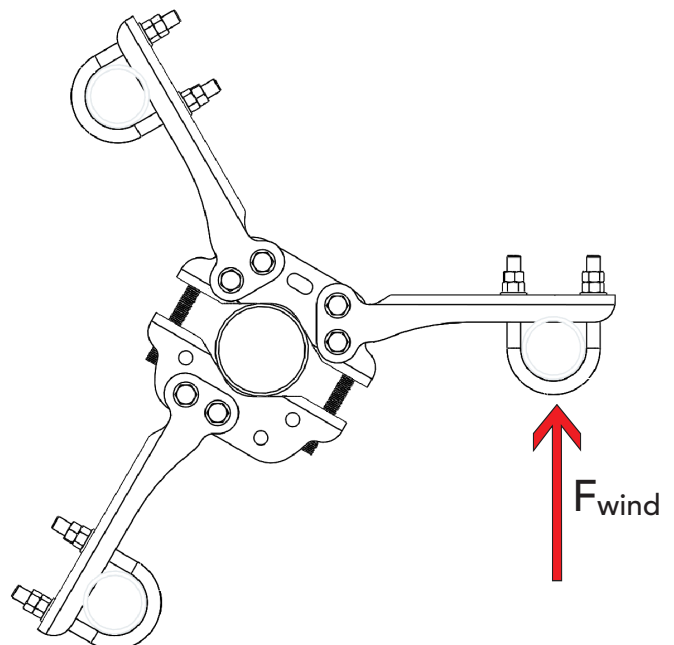
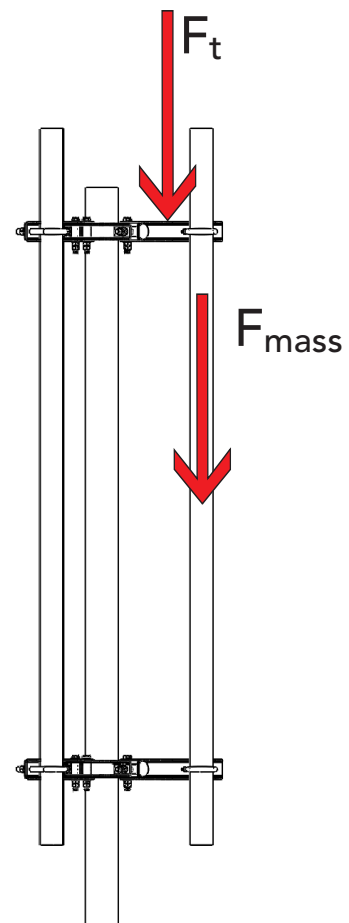
Product	Length (mm)	Width (mm)	Height (mm)	Weight (kg)
4415	390	230	120	13.5
4418	390	275	120	15.5

Product options

Tubes of various lengths and diameter can be ordered from MAFI.



EN 1090



Design resistance data

The load limits given in this data sheet apply to the MAFI product only. The designer should always check that the supporting structure can safely carry the loads applied to it by the MAFI product.

Vertical load

Max Supported Equipment mass per offset tube (F_{mass}) = 60 kg

Ultimate Transient Person-Load (F_t) = 2.4 kN

Horizontal load

Ultimate transient horizontal load per tube (F_{wind}) = 4000 N