

MAFI 32655*

Cable Holder Family



Designed as an easily-fitted tower-leg clamp to accommodate a number of feeder cables.

Flexibility

The different models in the family can accommodate tubular tower-legs ranging from \varnothing 20 – 192 mm, and angle legs from 60 × 60 – 130 × 130 mm.

Detailed design data

Detailed design data for this product can be found at www.mafi.se.

How to Order

To order this kit, please contact MAFI quoting article number:

32655 or E-order number (SEG): **6062533**

32657 or E-order number (SEG): **6000695**

32658 or E-order number (SEG): **6000696**

32660 or E-order number (SEG): **6062534**

32663 or E-order number (SEG): **6000697**

32664 or E-order number (SEG): **6000698**

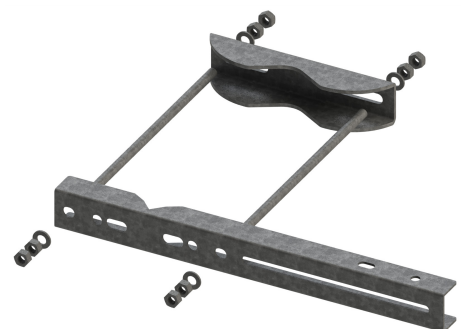
Contact information can be found at www.mafi.se.



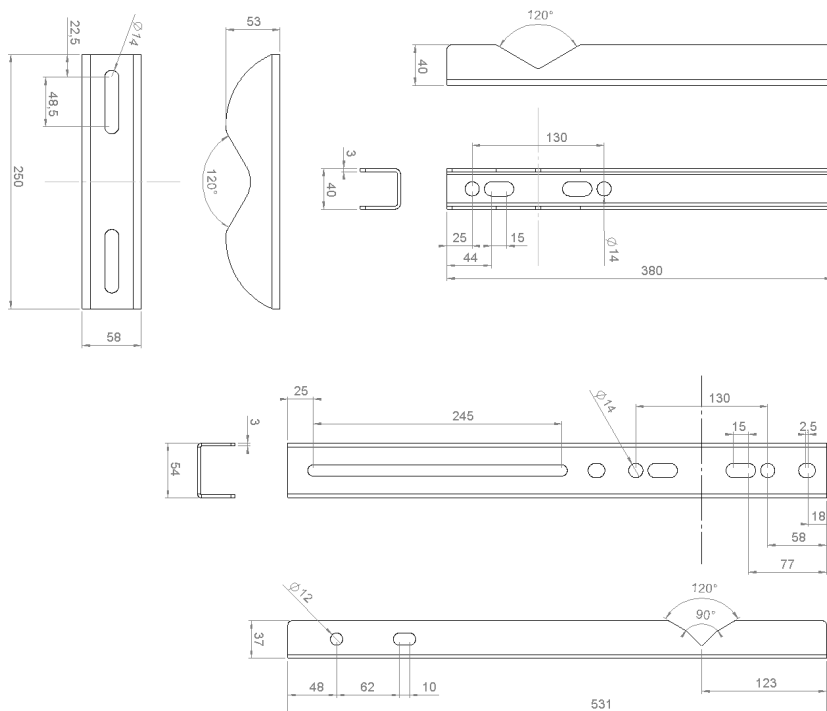
MAFI 32655/57/58



MAFI 32660/63



MAFI 32664



Parent pole/leg

Product	Parent member Dim.
32655	Ø 20 – 50 mm
32657	Ø 40 – 76 mm
32658	Ø 89 – 114 mm
32660	Ø 35 – 76 mm
32663	Ø 89 – 114 mm
32664	Ø 76 – 192 mm
32664	60 × 60 – 130 × 130 mm

Tightening torque

Threaded rods M12: 40 Nm
 U-bolts M12: 30 Nm

Part list

Parts	Material	Quantity*
Bracket	S355MC FZV	1 (1)
Clamp	S355MC FZV	0 (1)
U-bolt M12	A4 or 8.8 FZV	1 (0)
Nuts M12	8.8 FZV	4 (8)
Washers	8.8 FZV	2 (4)

*MAFI 32664: (x)

Package data

Product	Length (mm)	Width (mm)	Height (mm)	Weight (kg)
32655/57/58	400	100	50	1.2
32660/63	550	100	70	2
32664	550	100	70	2.7

