

MAFI 2230*

Telescopic Strut Support



Designed to provide flexible bracing to a pole.

The support can be fitted as part of a new installation or it can be retrofitted to an existing pole. All that is required is two structural attachment points within reach of the pole. The attachment points can be horizontal, vertical or anything inbetween. The kit consists of a pair of telescopic struts with feet and a pole attachment bracket.

Flexibility

The 2230-family comprises three lengths of strut and two standard sizes of pole attachment-clamp available, to fit poles \varnothing 76 or 114 mm.

Please see the table on the next page.

An optional pole attachment-clamp the 3396.

Can fit poles $< \varnothing$ 76 mm.

Detailed design data

Detailed design data for this product can be found at www.mafi.se.

How to Order

To order this kit, please contact MAFI quoting article number:

2230 or E-order number (SEG): **6000865**

2231 or E-order number (SEG): **6000866**

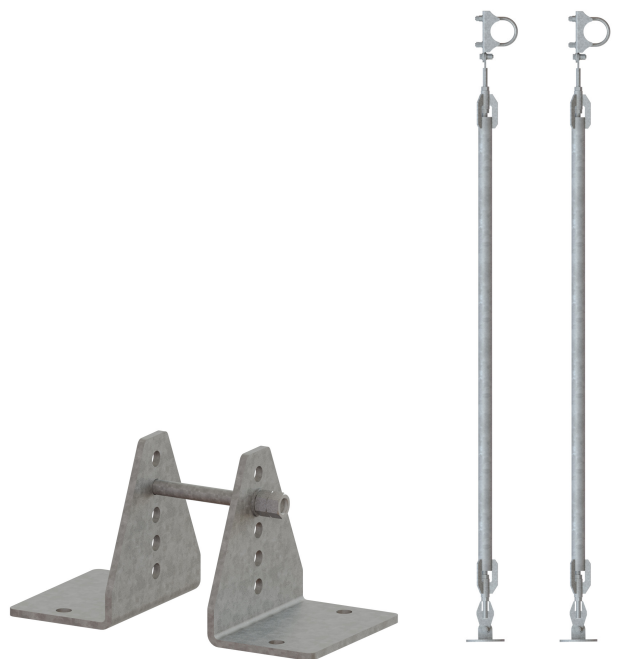
2232 or E-order number (SEG): **6000867**

2233 or E-order number (SEG): **6000868**

2234 or E-order number (SEG): **6000869**

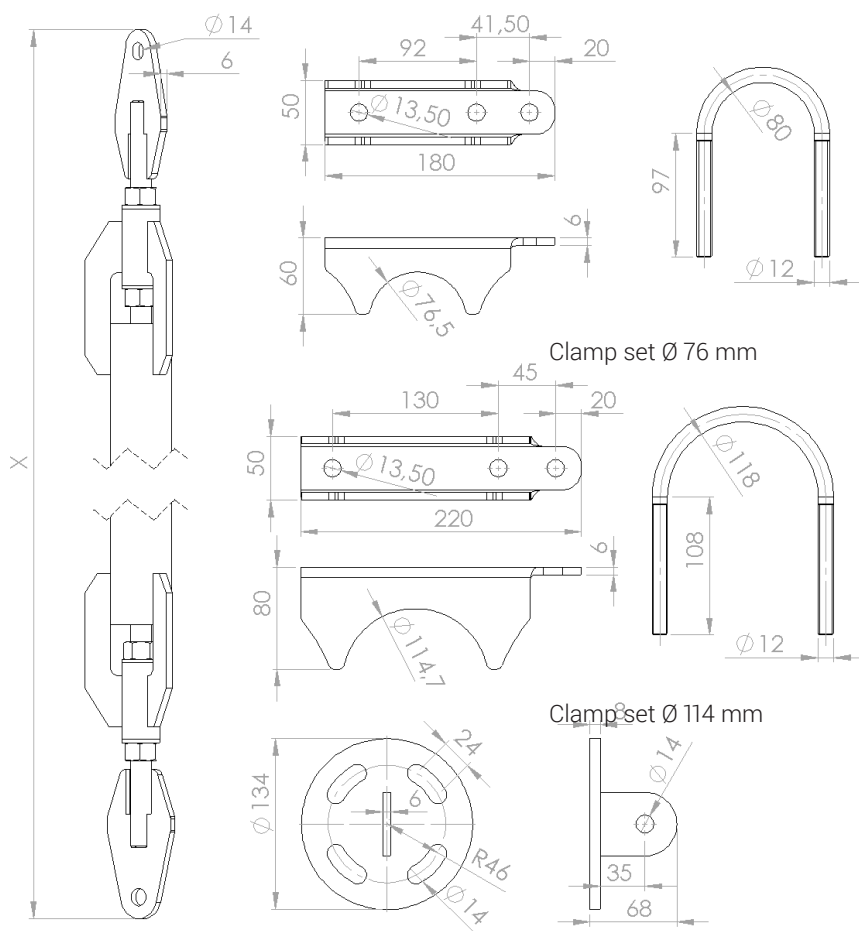
2235 or E-order number (SEG): **6000870**

Contact information can be found at www.mafi.se.



Option: MAFI 4328

Content of kit



Equipment pole



Art. no. 2230 - 2232:

Ø 76.1 mm

Art. no. 2233 - 2235:

Ø 114.3 mm

Optional < Ø 76 mm

Tightening torque

U-bolt: 31 Nm (Ø 76 mm)

46 Nm (Ø 114 mm)

M12 screws: 80 Nm

M16 screws: 100 Nm

Strut length and clamp width

Product	X Length (m)	Clamp width Ø (mm)
2230	1.0 – 1.4	76
2231	2.0 – 2.4	76
2232	3.0 – 3.4	76
2233	1.0 – 1.4	114
2234	2.0 – 2.4	114
2235	3.0 – 3.4	114

Part list

Parts	Material	Quantity
Struts	S355 FZV	2
Strut foot	S355MC FZV	2
Clamps	S355MC FZV	2
U-bolts M12	A4 or 8.8 FZV	2
Bolts M12	8.8 FZV	4
Nuts M12 and washers	8.8 FZV	16

Package data

Product	Length (mm)	Width (mm)	Height (mm)	Weight (kg)
2230/2233	1100	160	100	13.8
2231/2234	2100	160	100	20.3
2232/2235	3100	160	100	26.8

Product options

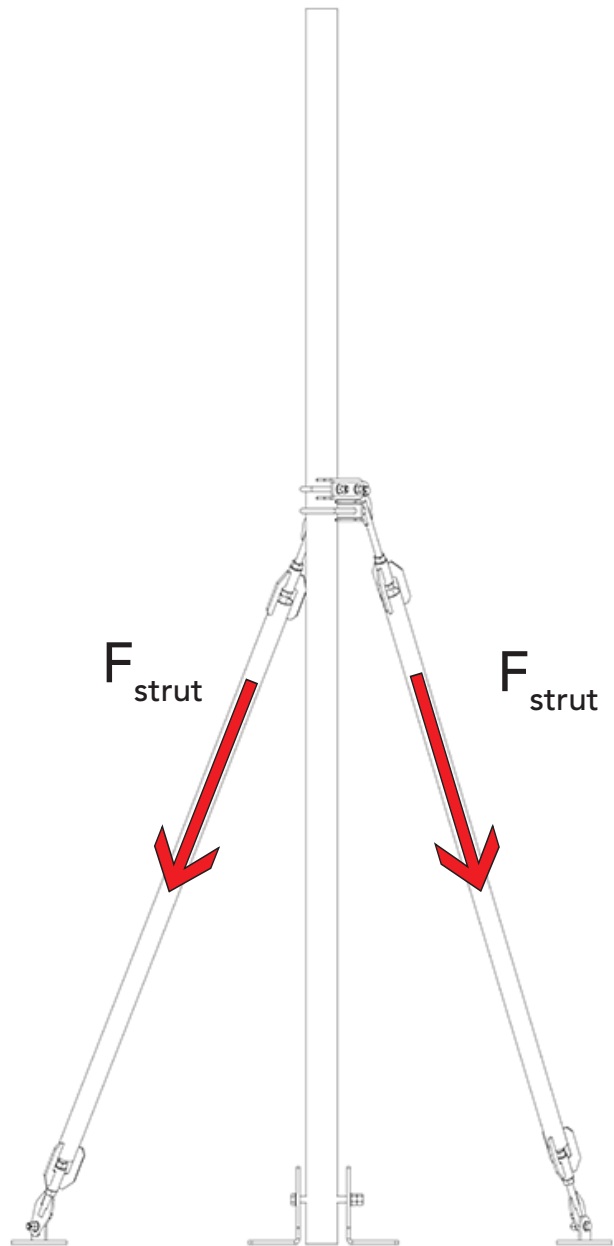
MAFI 4328, Equipment pole foot.

2 × MAFI 3396, Clamp for tubes < Ø 76 mm.

Tubes of various lengths and diameter can be ordered from MAFI.



EN 1090



Design resistance data

The load limits given in this data sheet apply to the MAFI product only. The designer should always check that the supporting structure can safely carry the loads applied to it by the MAFI product.

Load capacity

Each strut is designed to take a maximum tension/compression force according to below:

Ø 76 mm tube clamp: $F_{strut} = 10 \text{ kN}$

Ø 114 mm tube clamp: $F_{strut} = 15 \text{ kN}$