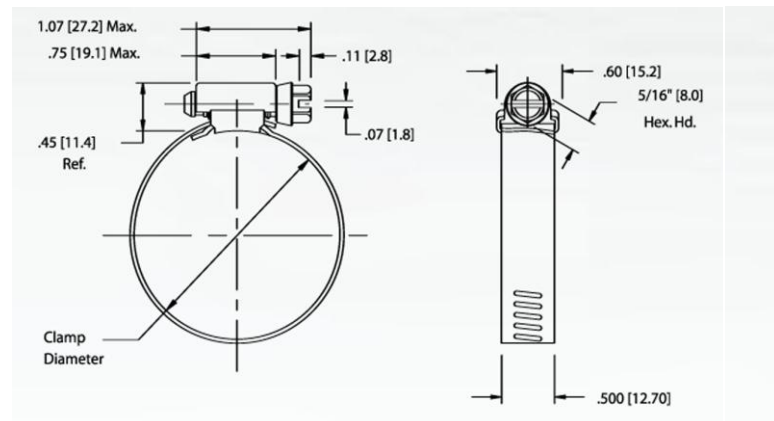


Standard Hose Clips



67-5 Series/620 Series

Screw: 5/16" hex-head

High-nickel grade stainless steel

Band and housing: 1/2" design

High-Nickel grade stainless steel

GCA Ltd's range of hose clips are used on applications that require a high level of torque. The stainless steel construction means they can withstand outdoor applications.

The hose clips held in stock can be used with the GCA Ltd Tower leg adaptor - BPA50mm+.

Hose clips used with BPA-50mm+ adaptors on tower legs must be larger than the tower leg diameter, to account for the adaptor.

Standard Hose Clips

Part Number	Metric (mm)		Fits Hose I.D	
	Min. Dia.	Max. Dia.	Min.	Max.
2HOSE	32	57	1 1/4	1 5/8
2XHOSE	44	70	1 3/4	2
3HOSE	51	76	2	2 1/4
4HOSE	70	95	2 3/4	3
4XHOSE	76	101	3	3 1/2
5HOSE	76	127	3	4 1/2
6HOSE	89	140	4	5
6XHOSE	102	152	4	5 1/2