

MAFI 4309

Free Stander Medium



Designed to carry antennas and other equipment on places where a free standing structure is suitable.

Flexibility

The ballast in the structure can be varied to suit the wind load and there's a lot of space for mounting equipment. The equipment pole is tiltable up to 6° to so that the pole can be kept vertical.

Detailed design data

Detailed design data for this product can be found at www.mafi.se.

How to Order

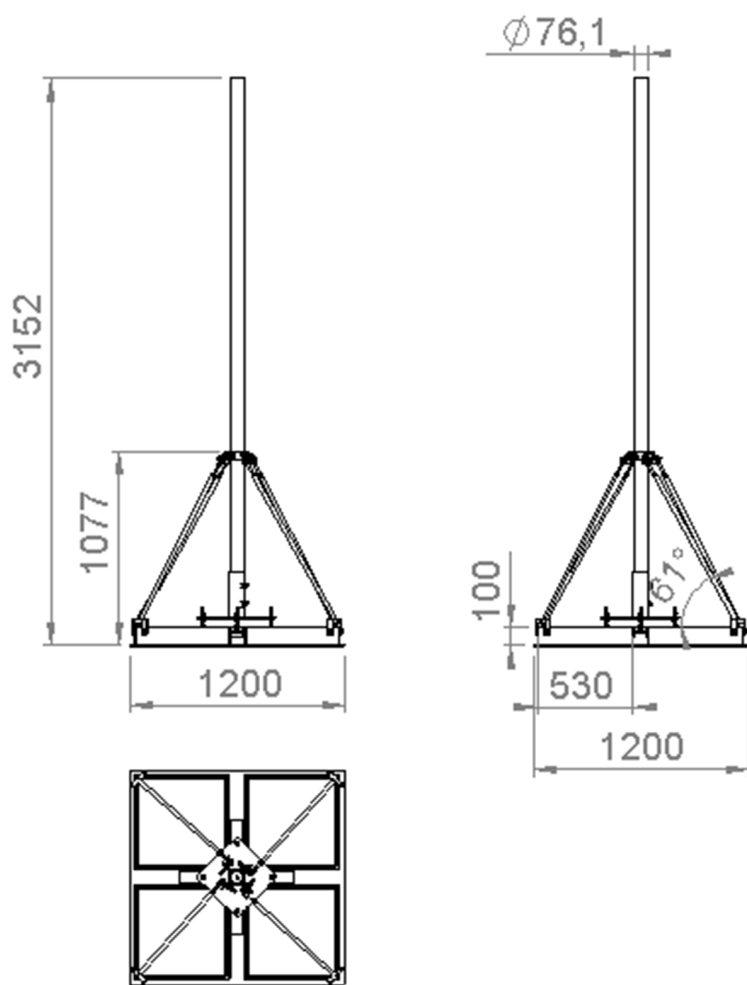
To order this kit, please contact MAFI quoting article number:

4309 or E-order number (SEG): **6062564**

Contact information can be found at www.mafi.se.



Option: 43090,
extra ballast pockets for 4309



Equipment pole



Tightening torque

View mounting instructions.

Ballast blocks

2 x 4 pcs of 500 x 500 x 50 mm concrete blocks, each 25 kg (only included for UK market).

Tilting

The structure can be placed on surfaces that have a slope of up to 6° from the horizontal plane. The equipment pole can be tilted to always stand vertical.

Part list

Parts	Material	Quantity
Sheet steel parts	S355MC FZV	-
Tube	P235TR1 FZV	1
Nuts and bolts	8.8 FZV	-
Threaded rods	8.8 FZV	-
Protective mat		1

Package data

Product	Length (mm)	Width (mm)	Height (mm)	Weight (kg)
4309	1200	800	400	111

Product options

Art. no.	Description
43090	Extra ballast pockets Corner pockets to increase base width and weight.
42071	Ballast: Concrete blocks 500 x 500 x 50 mm Weight 25 kg/pcs.



Design resistance data

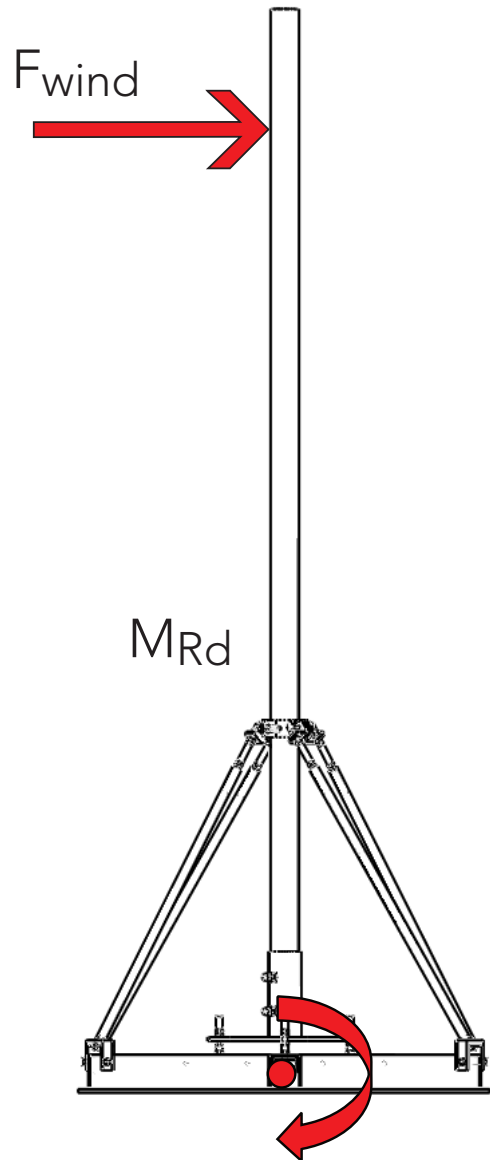
The load limits given in this data sheet apply to the MAFI product only. The designer should always check that the supporting structure can safely carry the loads applied to it by the MAFI product.

Overturning resistance

For this free standing structure the critical dimensioning parameter is the ability to resist overturning.

The figures in the table need to be higher than the moment applied by the ultimate wind loads acting on the pole and the supported equipment.

The roof structure should to be checked by an engineer to confirm that it can withstand the total weight of the structure. Also it should be confirmed that the friction between the 4309's rubber mat and the roof is enough to prevent sliding.



Overturning moment table

Configuration	Overturning resistance M_{Rd} (Nm)
4 concrete blocks of each 25 kg (Half ballast).	1000
8 concrete blocks of each 25 kg (Full ballast).	1600
Extra ballast pockets 43090 and 16 concrete blocks each weighing 25 kg.	3750