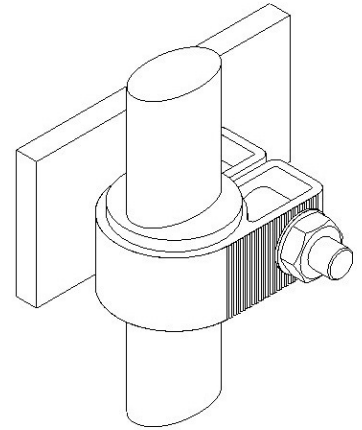
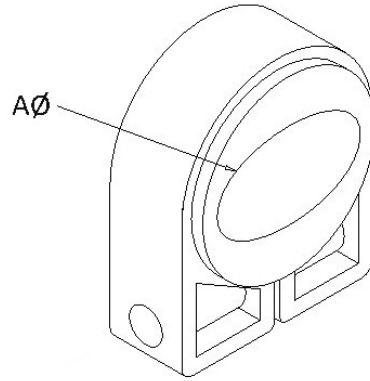


## Waveguide Cleats



- GCA Ltd hold a range of cleats with EPDM rubber inserts for general telecoms cables as well as waveguides.
- The design of the cleat allows the jaws to come together but stop the cable from being over-tightened therefore eliminating the need for a spacer.
- Our inserts have ridges top and bottom to guarantee the insert is fully and correctly held in the cleat, and therefore quicker and easier to install.

Cleat & Bung Reference.	Cleat Size	Waveguide Reference	Approximate Dimensions	Waveguide Operating Freq. GHz	Pack Qty	Box Qty
BW1.2-EW240	1.2"	EW240	15.2 x 9.65mm (0.6" x 0.38")	24.0 – 26.5	25	400
		E250	16.0 x 11.0mm (0.62" x 0.43")	24.25 - 26.5		
BW1.2-E380	1.2"	E380	12.0 x 9.0mm (0.47" x 0.35")	37 – 39.5	25	400
BW1.2-EW210/38	1.2"	EW210 & EO38	18.0 x 13.0mm (0.71" x 0.51")	37 – 39.5	25	400
BW1.2-E185	1.2"	E185 & EP185	21.0 x 13.0mm (0.83"x0.51")	13.7-19.7	25	400
BW1.2-EW180	1.2"	EW180 & EWP180	20.1 x 12.4mm (0.79" x 0.49")	17.3 – 19.70	25	300
BW1.4-EW127	1.4"	EW127 & EWP127	28.2 x 17.1mm (1.11" x 0.67")	10 – 13.2	25	300
		E130 & EP130	29.0 x 18.0mm (1.14"x0.71")	10.7 - 13.25		
BW1.4-EW132	1.4"	EW132 & EWP132	24.4 x 15.5mm (0.96" x 0.61")	11.0 – 15.35	25	300
BW1.4-E150	1.4"	E150 & EP150	26 x 16mm (1.0" x 0.6")	13.4 – 15.35	25	300
BW1.4-EW220	1.4"	EW220	17.8 x 11.2mm (0.70" x 0.44")	21.2 – 23.6	25	300
		E220	18.0 x 12.0mm (0.71" x 0.47")	21.2 – 23.6		

BW2.0-EW77	2.0"	EW77 & EWP77	43.6 x 25.4mm (1.72" x 1.0")	6.1 – 8.5	20	200
		E78 & EP78	44.26 x 28.0mm (1.73" x 1.02")	7.1 – 8.5		
BW2.0-E75/15	2.0"	EW75 & EO15	41.0 x 27.0mm (1.61" x 1.06")	12.7 – 15.35	20	200
BW2.0-EW90	2.0"	EW90 & EWP90	33.5 x 20.3mm (1.32" x 0.8")	10.2 – 11.7	20	200
		E105	33.0 x 20.0mm (1.3" x 0.79")	10.0 - 11.7		

\*Material: Low density polythene with rubber inserts

\*Colour: Black