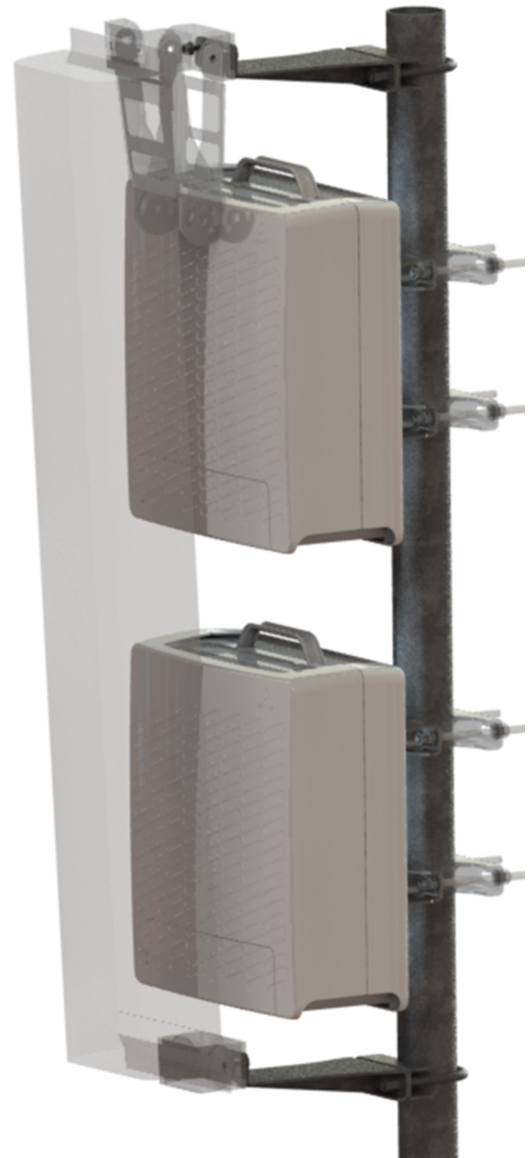


MAFI 3115*

Antenna Offset



Designed to allow for an RRU to be mounted behind a panel antenna without any extra equipment pole.

Flexibility

The offset bracket can handle a wide range of tower and mast leg sections. The bracket fits either directly against the antenna or tilt brackets if used. The optional 31154 antenna adapter kit allows mounting of antennas with 150 mm c/c fixings in the vertical plane.

Detailed design data

Detailed design data for this product can be found at www.mafi.se.

How to Order

To order this kit, please contact MAFI quoting article number:

3115 or E-order number (SEG): **6062514**

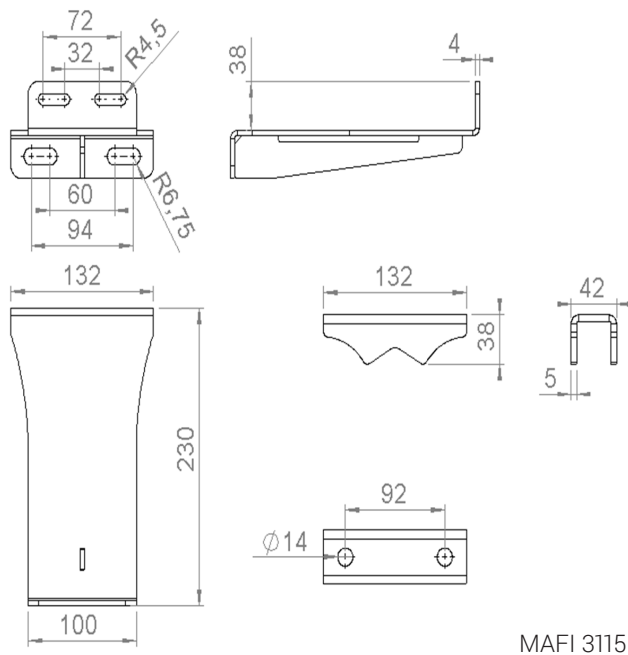
31154 or E-order number (SEG): **6000883**

Contact information can be found at www.mafi.se.

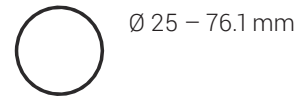


MAFI 3115
Content of kit

MAFI 3115 with option
31154, antenna adapter kit

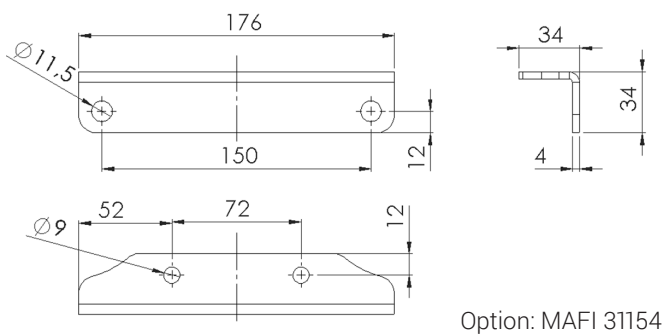


Parent pole/leg



Tightening torque

U-bolt M12: 31 Nm



Part list

Parts	Material	Quantity
Offset plates	S355MC FZV	2
Clamps	S355MC FZV	2
U-bolts	A4 or 8.8 FZV	2
Nuts and washers	8.8 FZV and A4	12

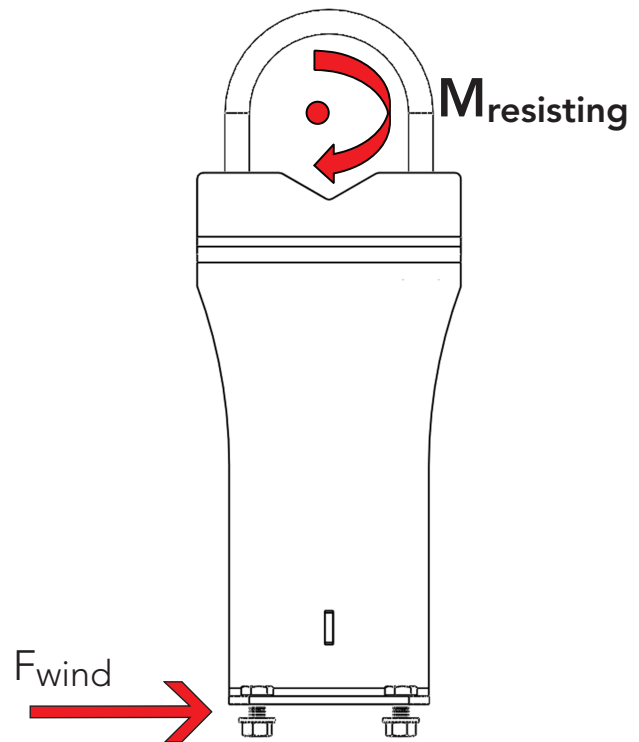
Package data

Product	Length (mm)	Width (mm)	Height (mm)	Weight (kg)
3115	250	150	100	4

Product options

MAFI 31154; Antenna adapter kit.





Design resistance data

The load limits given in this data sheet apply to the MAFI product only. The designer should always check that the supporting structure can safely carry the loads applied to it by the MAFI product.

Vertical load

Max Supported Equipment mass = 50 kg

Ultimate Transient Man-Load = 2.4 kN

Rotational slip resistance

When high side forces can be expected, use the tables below to check for rotational slip when mounting on a circular pole. Use ultimate loads and equipment offset to calculate the applied torque.

Ultimate Torque Capacity per Bracket

Parent Pole ϕ (mm)	Torque (Nm)
42.3	152
48.3	178
60.3	230
76.1	298